

DIGITAL YEARLY TIMER

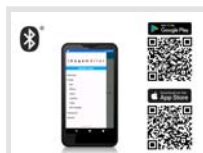
müller SC 98.x0 pro4



Accessories



Save'n carry windows software



Save'n carry App



müller FU 20.00 pro



müller FU 3x.00 pro

Overview

- 1, 2, 3 or 4 channels
- Daily, weekly, yearly or astro program
- 300 memory locations
- Zero-cross switching
- Up to 600 W LED lamp load
- Integrated Bluetooth
- Programmable via App (iOS, Android and Windows)
- 10 years battery-reserve
- Exchangeable battery (CR 2032)
- Switching capacity 16 A per channel
- Cycle and random function
- Timer function
- External input function (switch or push-button)
- DCF / GPS function
- Extra switching times ON, OFF and pulse by date and time
- Permanent by date and time / holiday function
- Up to 10 special programs possible
- Manual permanent mode
- Manual override
- Fully automatic daylight saving time
- Elapsed time and pulse counter
- Easy handling
- Illuminated display
- Security by PIN-Code

Highlights

- Programmable with PC or Smartphone via Bluetooth (free iOS, Android and Windows app)
- No additional Data stick needed! Bluetooth integrated in time switch
- Zero-crossing (up to 600 W LED lamp load)
- Exchangeable battery (CR 2032) with 10 years battery reserve
- Random function for presence simulation
- Optimized own consumption: only 0.3 W in „standby“ mode
- Quick and intuitive programming
- Can be programmed with supply disconnected
- Unlimited program security by E2-PROM

Supply voltage versions

- 110-230 V, 50-60 Hz
- 12-24V AC/DC see SC 98.20 pro4 / SC 98.40 pro4

Order numbers

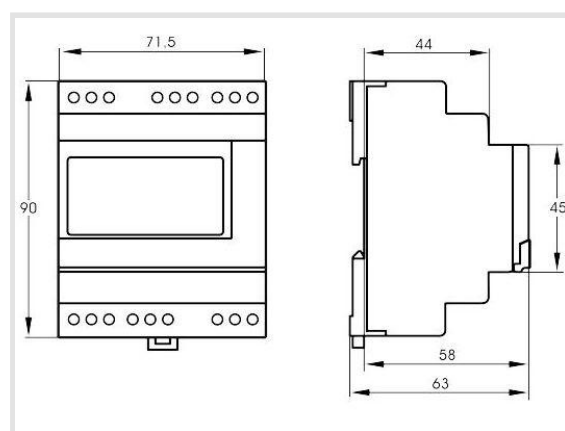
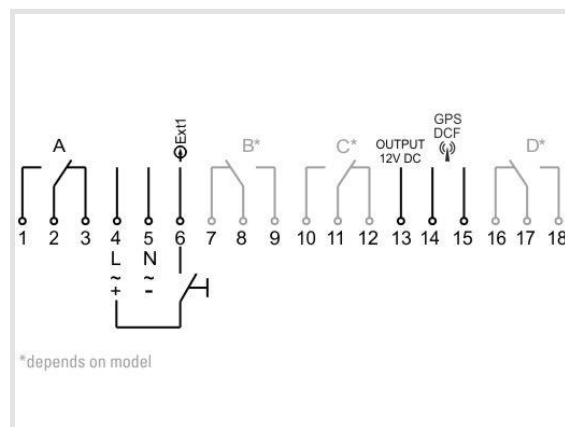
■ müller	
SC 98.10 pro4	1 channel version
SC 98.20 pro4	2 channel version
SC 98.30 pro4	3 channel version
SC 98.40 pro4	4 channel version

DIGITAL YEARLY TIMER

müller SC 98.x0 pro4

Technical data

Supply voltage	110-230 V, 50-60 Hz other voltages on request
Voltage tolerance	±15%
Power consumption (real power)	W (depending on the switching status)
Channels (potential-free)	Change-over, contact gap < 3 mm (μ)
Contact material	AgSnO ₂
Switching capacity per channel	
resistive load:	16 A / 250 V~ at cosφ=1
inductive load:	10 A at cosφ=0,6
Min. switching power	1.000 mW (10 V / 10 mA)
Max. starting current	50 A
Filament Lamp	3.000 W
Halogen Lamp	
Fluorescent Lamp uncompensated	2.600 W
Fluorescent Lamp series compensated	2.600 W
Fluorescent Lamp parallel compensated	1.300 W
LED (230 V~) / CFL	600 W
Switching functions	ON
	OFF
	pulse
	cycle
	extra permanent astro
Pulse length Pulse function (switching time)	00:01 up to 59:59 mm:ss
Pulse length Timer (man. switching)	0:00:01 up to 9:59:59 h:mm:ss
Pulse/Pause length cycle	0:00:01 up to 9:59:59 h:mm:ss
Memory locations	300
Minimum interval	1 Min.
Time base	Quartz
	DCF (FU 20.00 pro)
	GPS (FU 3x.00 pro)
Quartz accuracy (at 20 °C)	≤ ±0,5 Sec./day (Quartz accuracy optimized for typical ambient conditions)
Power back-up (at 20 °C)	approx. 10 years (exchangeable battery CR 2032)
Program security	unlimited (E ² -PROM)
Display	high resolution LCD (visible area 12,8 cm ²)
Permitted ambient temperature	-30...+55 °C
Housing	self-extinguishing thermoplastic
Dimensions	45 x 71,5 x 58 mm
Mounting	35 mm DIN-rail
Type of connection	Screw terminals (Pull-up type)
Type of protection	IP 20 to DIN EN 60529
Class of protection	II when installed according to regulations
Mode of operation (DIN EN 60730-1)	1 BSTU
Degree of contamination (DIN EN 60730-1)	2
Rated surge voltage (DIN EN 60730-1)	4 kV
Minimum requirement	Android version 4.4
	iOS version 11.0
	Bluetooth version 4.1
Accessories (not included in delivery)	Radio receiver DCF FU 20.00 pro
	Radio receiver GPS FU 3x.00 pro



Rights to technical amendments reserved / Technische Änderungen vorbehalten
Droits de modifications techniques réservés / Suscettibile di errori e modifiche