

## HVAC CONTROL PRODUCTS

### Actuators

## Terminal Unit Valve Actuators

### VA-7010

*ON/OFF Control*

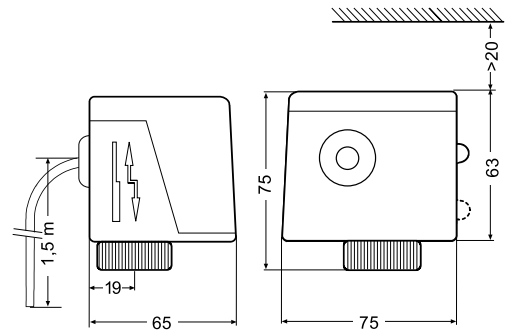
The VA-7010 electric ON/OFF actuator provides a two-position (open-closed) control and can easily be mounted with a threaded mounting nut onto VG4000 and VG5000 terminal unit valves.

A lever at the side of the actuator housing can be used to manually open a 2-way PDTO valve, or the normally closed port of a 3-way valve.



#### Features

- 24 VAC and 230 VAC power supply
- ON/OFF control
- Manual lever
- Threaded mounting nut M28 x 1.5
- Factory mounted cable 1.5 m



Dimensions in mm

Ordering Codes	Supply Voltage (50/60 Hz)	Action Control	Minimum Force	Stroke	Full Stroke Time	Protection Class	Power Consumption
VA-7010-8101	24 VAC	ON/OFF	90 N	3 mm (max. 5 mm)	10 s (Actuator stem extends) 5 s (Actuator stem retracts)	IP40	7 VA
VA-7010-8103	230 VAC						