

Signal tower / Pre-assembled Signal Tower SignalSET Wireless USB



Part No.:	649.191.02
Series:	KombiSIGN 72

MECHANICAL DATA

Materials	Aluminium PA-GF PC PMMA
Dome colour	Green Red
Housing colour	Black Silver White
Protection category	IP30
Connection	USB
Cable entry	Through hole
Cable entry maximum	d = 14 mm
Tension relief	Not present
Type of fixing	Special version
Service life optical	50,000 h maximum
Working temperature minimum	0°C
Working temperature maximum	+40°C

ELECTRICAL DATA

Operating voltage	230V 5V (USB)
Operating voltage type	AC
Operating voltage frequency	50Hz
Operating voltage tolerance	+/- 10%
Rated operational current	1000 mA
Protection class	Protection class 2
Pollution degree	2
Isolation voltage	Ui = 250V; Uimp = 2.500V

OPTICAL DATA

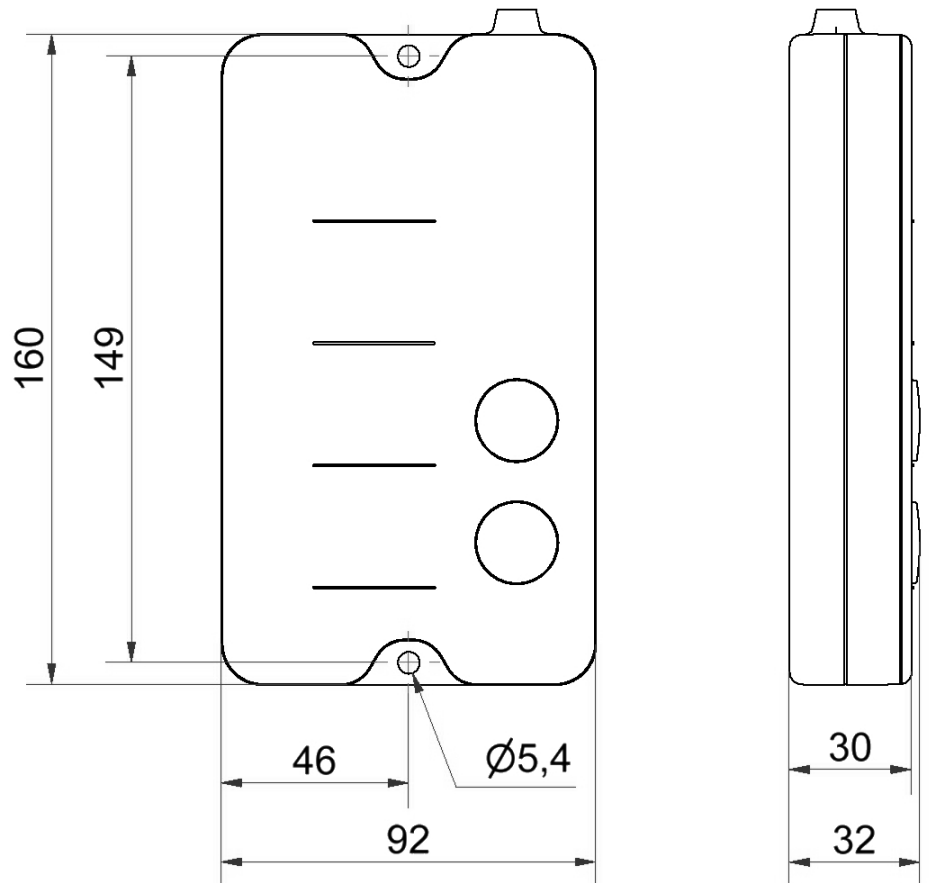
Light source	LED
Light colour	Green Red
Optical signal image	TwinLight



For additional installation and mounting information, refer to the appropriate user guide at www.werma.com. This printed copy is for information only and is subject to alteration.

Signal tower / Pre-assembled Signal Tower
SignalSET Wireless USB

DRAWING



For additional installation and mounting information, refer to the appropriate user guide at www.werma.com. This printed copy is for information only and is subject to alteration.