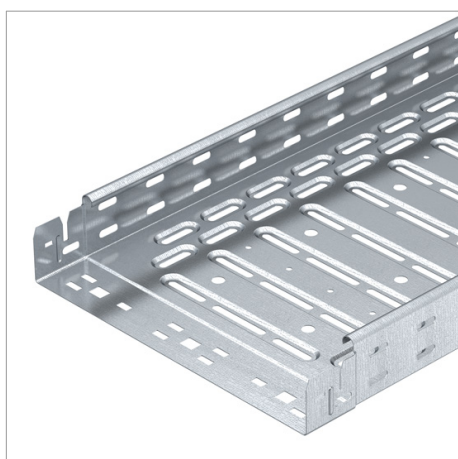


Technical data sheet Cable tray RKS-Magic®



RKSM 60 = efficient magic cable tray system with 60 mm side height.

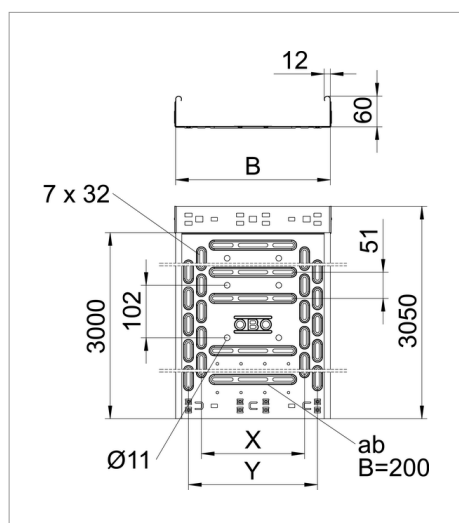
Cable tray with quick connection system, including all the relevant connection components for time-saving and economic installation, with beaded straight base perforation, 7 x 20 mm, for bracket mounting and, from the width 200 mm, with 7 x 32 mm transverse beading for cable ventilation and simplified mounting. With 11 mm perforation for direct threaded rod suspension. Continuous side perforation, 7 x 20 mm, as connector perforation.

The stock length is 60 mm, the usable length when combined is 60 mm.

The spring element FED 60 can be ordered separately as a accessory part (spare) for the cable tray RKS-Magic with a side height of 60 mm under the article number 6068859.

The continuous equipotential bonding is guaranteed without additional components.

VDE and function maintenance (DIN 4102 Part 12) tested cable tray system.



Type	Width mm	Plate thicknes s mm	Length mm	Dimensi on x mm	Dimensi on y mm	Dimensi on t mm	Weight kg/100 m	Art.-No.
RKSM 610 FS	100	0.75	3050		50		134.300	604761 1
RKSM 620 FS	200	0.75	3050	100	150		183.000	604763 8
RKSM 630 FS	300	0.75	3050	200	250	100	239.000	604765 4
RKSM 640 FS	400	0.9	3050	300	350	200	331.300	604768 9

St Steel
 FS Strip-galvanised
/m