



ZMTK 8.10 8.10 CU STTZN (460 517)

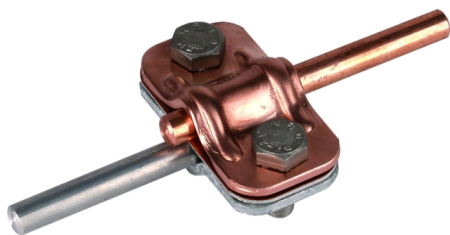
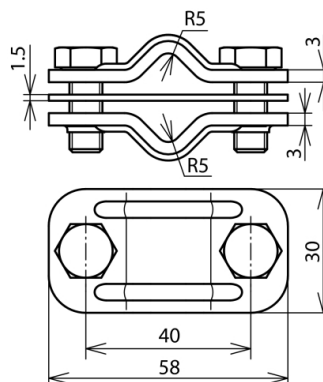


Figure without obligation



Part No.	460 517
Material	Cu / St/tZn
Clamping range Rd / Rd	8-10 / 8-10 mm
Screw	● M8 x 20 mm
Material of screw	StSt
Distance of screws	40 mm
Material thickness (t1)	3 / 1.5 mm
Standard	EN 62561-1
Weight	105 g
Customs tariff number	85389099
GTIN	4013364034259
PU	50 pc(s)

We reserve the right to introduce changes in performance, configuration and technology, dimensions, weights and materials in the course of technical progress. The figures are shown without obligation.