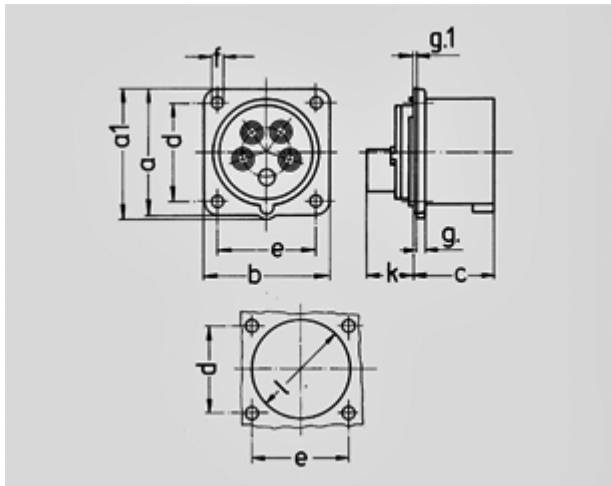


Panel mounted inlet - Part no. 1409


- screw terminals
- a retaining nose to hold the hinged lid of the connector must be provided by the customer in order to ensure satisfactory locking

Protection type	IP 44
Ampere	32 A
Poles	5p
Voltage	400
Hertz	50-60Hz
Earth position	6h
Contact	standard
Connection technology	Screw terminals

Std. Pack. 10 Qty.



Drawing	Amp.	16	32
2 MB 68	Poles	5	5
Dim. in mm	a	66	72
	a1	69	78
	b	66	72
	c	43	52
	d	52	60
	e	52	60
	f	4,5	4,5
	g.	4,5	4,5
	g.1	2	2
	k	27	32
	l	59	63
Terminal for cond. cross section (mm ²) min.-max.		1 -2,5	2,5 -6