



Flood Mini

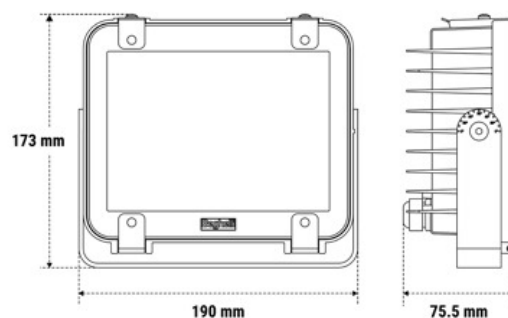
PRO LED 1X50 4K

Order code **F50LED**

EAN 8002219719379

Technical specifications

Absorbed Power	26 W
Supply voltage type	AC/DC
Nominal voltage (AC)	230 Vac
Ambient temperature (min)	-20 °C
Ambient temperature (max)	40 °C
Insulation class	I
CCT light tone	4000 K
LED number	66
Colour consistency	SDCM3
CRI color rendering	>80
Driver type	ED
Ballast	For constant current LED
Efficiency	115 lm/W
Frequency (max)	60 Hz
Frequency (min)	50 Hz
Power factor	0.97
Glow wire strength	960 °C - 30s.
Lens efficiency	100 %, 100 %
MTBF driver	60000 h
Luminaire flux	3000 lm
Voltage supply range (max)	253 V
Voltage supply range (min)	207 V

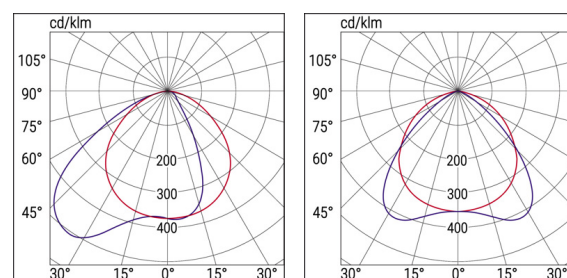


Installation and applications

Environment	Secondary Areas
Application	Gardens, Building Entrances, Building Façades

Mechanical specifications

Height	75.5 mm
Length	190 mm
Width	173 mm
Weight	1.2 Kg
Colour housing	Grey RAL 7035
Cover material	Tempered glass
Protection grade IP	IP66
Protection grade IK	IK09



Certifications and norms

UK SI 2021 No. 1095, EN IEC 55015:2019 + A11:2020, EN IEC 61000-3-2 :2019, EN 61547:2009, EN 62471:2008, EN IEC 60598-1:2021, EN 60598-2-1:1989, EN IEC 63000:2018, EN 62493:2010, EN 61000-3-3:2013

Accessories



20108
RICEVITORE RADIO SMART

Inverter accessories



19375
MODULO LGFM INVERTER LED



19376
GUSCIO IP65 INVERTER LED



19355L
INV LED AT/LG AR 9W 55V LIFE



19358
INV P&L LED SE/SA 1H 20-60V



19359
INV P&L LED SE/SA 3H 20-60V



19391
INV EXT AT/LG AR 15W 55V
LIFE