



symbolic image

## DATA SHEET

### twilight switches

#### Dasy 010-2 230 V - we

for daylight-linked lighting control (outdoor mounting)

Article number 09500043



#### Function

Twilight switches switch on electrical consumers when the daylight level drops below a lower light value and switches off the electrical consumers again when an upper light value is exceeded. Doepke twilight switches are available in designs for outdoor mounting and also for distribution board installation with light sensors mounted outdoors. The Dasy series devices are twilight switches with a fixed hysteresis. A rotary potentiometer allows the twilight value, at which the lighting is switched on, to be reset. The lighting is switched off when the brightness level reaches 1.5 times the set value.

#### Features

wide adjustment range of 1 lux ... 200 lux and high switching stability, quick and precise adjustment of switching values thanks to logarithmic characteristics and instant LED, significantly reduced sensitivity to visual feedback through fixed hysteresis, no undesired switching when there are short-term changes to the ambient brightness, temporary suppression of switching delay after adjustment for immediate load test, robust switching contact allows switching of lamps offset in parallel, large connection space and cable glands for easy wiring

#### Mounting

On-wall housing for wall mounting indoors and outdoors. Mast or pipe mounting is also possible if the optional mounting kit is used.

#### Applications

Control of lighting for streets, buildings and industrial premises.

#### Notes

Product name #91we#92 for white housing, #91an#92 for anthracite-coloured housing.

#### Accessories

mast brackets

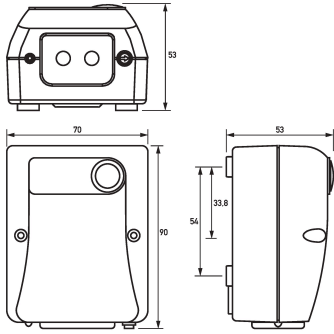
#### Technical Data

Technical Data	Dasy 010-2 230 V - we
Series	Dasy 10
Number of (n.o, n.c., change-over)	1 0 0
Manual operating mode possible	false
Adjustability, delay	fixed
Switch-on delay range	max. 10 s
Switch-off delay range	max. 40 s
Adjustability, switch-on threshold twilight	Smooth, logarithmic
Switch-on threshold range shading twilight	1 lux ... 200 lux
Adjustability of twilight hysteresis	fixed
Adjustability of the switch-off threshold hysteresis factor	1.5

Subject to technical changes

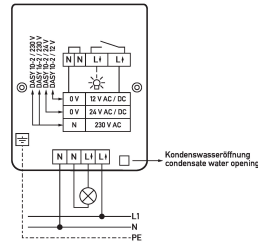
Technical Data	Dasy 010-2 230 V - we
Twilight switch-off threshold range shading	1 lux ... 200 lux
Operating voltage (AC)	230 V (207 V ... 253 V)
Operating frequency	50 Hz
Internal consumption	max. 2.5 W
	Display switch-on threshold
Number	1
Type	LED
	load circuit
Specification	relays
Rated voltage (AC)	230 V
Rated current (AC)	10 A
Rated power	max. 2500 VA
Rated frequency	50 Hz
max. Rated power LED	250 VA
	screw-type terminal (load circuit)
Clamping area	0.4 mm <sup>2</sup> ... 4 mm <sup>2</sup>
Tightening torque	max. 0.5 Nm
Connection C2 Maximum number of conductors per terminal	2
	General data
Operating position	90° tilted
Mechanical endurance	min. 100 · 10 <sup>6</sup> cycles
Electrical endurance	min. 1 · 10 <sup>6</sup> cycles
Ambient temperature	-25 °C ... 45 °C
Housing type	wall-mounted housing
Installation type	Mast assembly
Housing material	polycarbonate (PC)
Housing colour	signal white (similar to RAL 9003)
Protection class	IP54
Width	70 mm
Height	90 mm
Depth	53 mm
Design requirements/Standards	EN 60669-1
Certifications	VDE

Dimensions



Dimensional drawing Group view

Wiring example



Wiring diagram

Diagrams

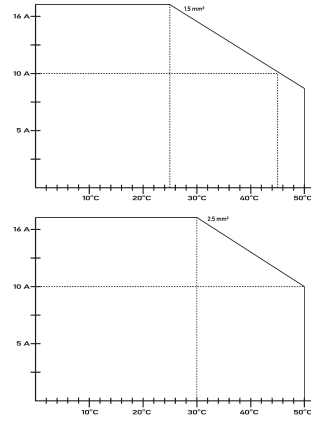
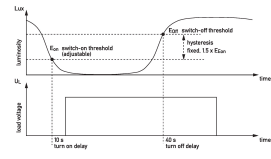


Diagram Derating graph Dasy 10/16

Diagram