

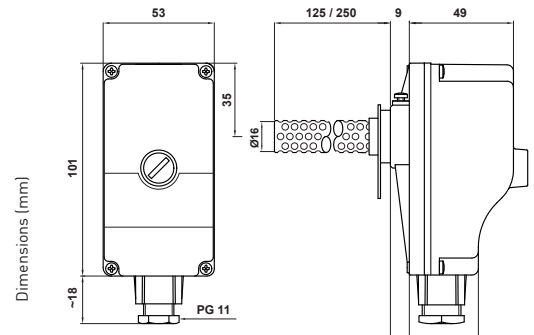
Limit thermostat with perforated sheath and manual reset



CODE	ADJUSTMENT RANGE	PROTECTION LEVEL	TYPE OF ADJUSTMENT		DIMENSIONE SHEATH mm	PACK QTY
			internal	external		
9N2-Q03A6-00A *	70 ÷ 110 °C	IP40	•		Ø 16 x 125	5
9N2-X03A6-01A	80 ÷ 120 °C	IP40	•		Ø 16 x 125	5
9N2-X03A6-02A *	60 ÷ 100 °C	IP40	•		Ø 16 x 125	5
9N2-X03B6-01A *	80 ÷ 120 °C	IP40	•		Ø 16 x 250	5
9N6-993B6-00A *	100 °C fixed	IP40	•		Ø 16 x 250	5

* price and delivery time upon request.

- Failure safe function not available.
- Contact rating 16(4)A 250Vca, 6(1)A400Vca.



Ambient thermostat in sealed container



CODE	TYPE OF ADJUSTMENT		ADJUSTMENT RANGE	SPIRAL BULB SENSING ELEMENT	PROTECTION LEVEL	PACK QTY
	internal	external				
7R1-5R306-00A		•	0 ÷ 40 °C	• stainless steel		10
7R1-6R306-00A		•	0 ÷ 60 °C	• stainless steel		10
7R1-XR306-00A		•	-15 ÷ 40 °C	• stainless steel	IP55	10
7R2-50306-00A *	•		0 ÷ 40 °C	• stainless steel		10
7R2-60306-00A	•		0 ÷ 60 °C	• stainless steel		10

* price and delivery time upon request.

- Gold-plated contact version 100mV 0,3 A code 7R1-XR806-00A.
- SPDT contacts.
- Contact rating 16(4)A 250Vca, 6(1)A400Vca.
- Other temperature ranges and versions available on request.

