

Magnetic ballasts for metal halide lamps



35-150 W 220/230 V, 230, 230/240 V, 50 Hz

- Meets EN 61347-2-9 & EN 60923 requirements
- Very low magnetic field
- 100 % quality controlled
- Low power losses
- Low harmonics
- Low noise
- Long lifetime
- Multiple fixing point variations



Lamp			Ballast								Compensation	
Lamp type	Lamp wattage	Lamp current	Ballast type	Voltage	Power losses	Dimen- sions	Connec- tion	Net weight	Inductive λ	Temp. rise Δt (°C)	ParallelCk 230/250V ±10 % (μF)	Mains current (A)
(W)	(A)	(W) ¹⁾										
HI	35	0.53	NK 35 LUP	230 240	9.0 9.4	1	15	1.22	0.38	50	6.0	0.23
	70	1.0	NK 70 LU	220 230	14.5 14.8	1	13	1.22	0.39	70	12.0	0.43
	70	1.0	NK 70 LU	240	15.0	1	28	1.22	0.39	70	12.0	0.43
	70	1.0	NK 70 LUP	230 240	14.8 15.0	1	15	1.22	0.39	70	12.0	0.43
	70	1.0	NK 70 LUPK	240	14.0	1	29	1.22	0.39	65	12.0	0.43
	70	1.0	NK 70 LUPK	230 240	13.5 14.0	1	15	1.22	0.39	65	12.0	0.43
	70	1.0	NK 70 LUH	220	16.5	1	19	1.18	0.39	75	12.0	0.43
	100	1.1	NK 100 LUP	230 240	15.6 16.6	1	13	1.22	0.44	80	12.0	0.56
	100/70	1.1/1.0	NK 100/70 SEP	230	14.5/11.5	13	13	1.27	0.41/0.35	75/65	12.0/12.0	0.56/0.43
	150	1.8	NK 150 TL ^{2) 3)}	220 230	20 21	3	18	1.80	0.41	75	20	0.9
	150	1.8	NK 150 TL ^{2) 3)}	230 240	21 22	3	21	1.80	0.40	75	20	0.9
	150	1.8	NK 150 TLP ^{2) 3)}	230 240	21 22	3	22	1.80	0.40	75	20	0.9
	150	1.8	NK 150 SEP ^{4) 5)}	230 240	18.0 19.0	8	15	1.85	0.41	75	20	0.9
	150	1.8	NK 150 SEPK ⁴⁾	230 240	17.5 18.5	9	15	2.6	0.40	65	20	0.9

1) Winding at 25 °C

2) T-type = two and four point fixing

F-type = four point fixing

3) Product has tw140

4) With push-in terminals

5) Available also with bottom length 133 mm

Note: P in ballast type name means built-in thermal protector (eg. NK70LUPK)

NK-SE, NK-TE, NK-T(P) / F, E-T / F, H-F/2

Magnetic ballasts for metal halide lamps



tw 130 & 140

250-1000 W 220/230 V, 230, 230/240 V, 50 Hz

- Meets EN 61347-2-9 & EN 60923 requirements
- Very low magnetic field
- 100 % quality controlled
- Low power losses
- Low harmonics
- Low noise
- Long lifetime
- Multiple fixing point variations



Lamp			Ballast								Compensation	
Lamp type	Lamp wattage	Lamp current	Ballast type	Voltage	Power losses	Dimen- sions	Connec- tion	Net weight	Inductive λ	Temp. rise Δt (°C)	ParallelCk 230/250V ±10 % (μF)	Mains current (A)
	(W)	(A)										
HI	250	3.0	NK 250 TLK ⁵⁾	220	29	3	21	2.75	0.43	75	32	1.4
				230	30					75		
				240	32					80		
	250	3.0	NK 250 TLK ⁵⁾	230	30	3	18	2.75	0.43	75	32	1.4
				240	32					80		
	250	3.0	NK 250 TLPK ⁵⁾	230	30	3	19	2.75	0.43	75	32	1.4
				240	32					80		
	250	3.0	NK 250 SE	230	29	10	23	3.00	0.40	70	32	1.4
				240	30					80		
	250	3.0	NK 250 SE	230	29	10	15	3.00	0.38	80	32	1.4
				240	30					80		
	250	3.0	NK 250 SEP	230	29	10	15	3.00	0.38	80	32	1.4
				240	30					80		
	250	3.0	NK 250 TP,FP ^{2) 5)}	230	28	3,6	19	3.15	0.42	70	32	1.4
				240	29					75		
	400	3.5	E 400 SE	230	29.0	10	23	3.00	0.51	80	35	2.2
				240	30.0					80		
	400	3.5	E 400 SE	230	29.0	10	23	3.00	0.51	80	35	2.2
				240	30.0					80		
	400	4.1	NK 400 TP,FP ^{2) 4) 5)}	230	32	4,7	19	4.40	0.40	70	45	2.2
			240	33					75			
400	4.1	NK 400 TE, FE ^{2) 4) 5)}	230	35	4,7	21	3.6	0.41	75	45	2.2	
			240	36					75			
400	4.1	NK 400 TEP, FEP ^{2) 4) 5)}	230	35	4,7	22	3.6	0.41	75	45	2.2	
			240	36					75			
400	3.5	H 400 T ^{2) 5)}	230	24.9	3,6	18	3.18	0.48	70	35	2.2	
			240	26					75			
400	3.5	H 400 TP ^{2) 5)}	230	24.9	3,6	22	3.18	0.48	70	35	2.2	
			240	26					75			
400	3.5	E 400 T ^{2) 5)}	230	25	3	16	3.16	0.49	80	35	2.15	
			240	26					80			
400	3.5	E 400 F ^{2) 5)}	240	26	6	16	3.16	0.49	80	35	2.15	
			230	27					75			
400	3.5	E 400 TL ⁵⁾	230	29	4	18	3.0	0.55	75	35	2.15	
			240	31					80			
400	3.5	E 400 TL ⁵⁾	230	29	4	21	3.1	0.53	75	35	2.15	
			240	31					80			
400	3.5	E 400 TLP ⁵⁾	230	29	4	22	3.1	0.53	75	35	2.15	
			240	31					80			
400	3.5	E 400 TP,FP ^{2) 5)}	230	25	3,6	22	3.16	0.49	80	35	2.15	
			240	26					80			
1000	9.5	H 1000 F/2 ^{2) 3) 5)}	230	75	4	20	8.8	0.49	85	100	4.6	
			240	80					85			

1) Winding at 25 °C

2) T-type = two and four point fixing

F-type = four point fixing

3) Supplied as 2 identical ballasts both with the dimensions indicated

All other technical values are stated for the combined product operating one lamp

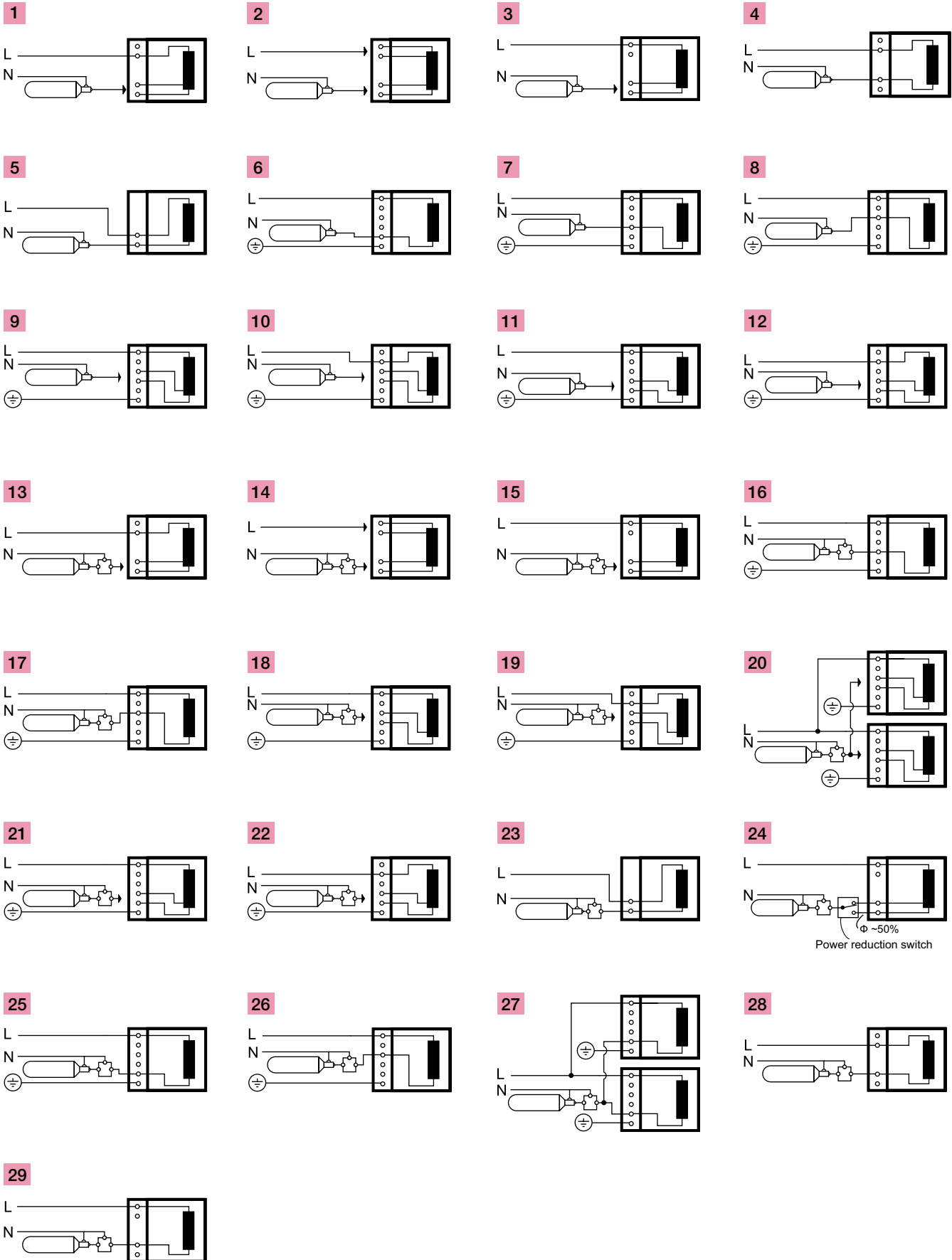
4) Check lamp manufacturers data to ensure they specify that the lamp is suitable for HPS ballast

5) Product has tw140

Note: P in ballast type name means built-in thermal protector (eg. E400 TP or NK70LUPK)

Connection diagrams

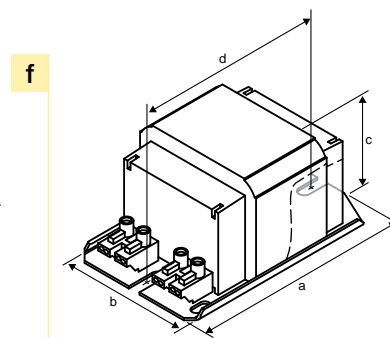
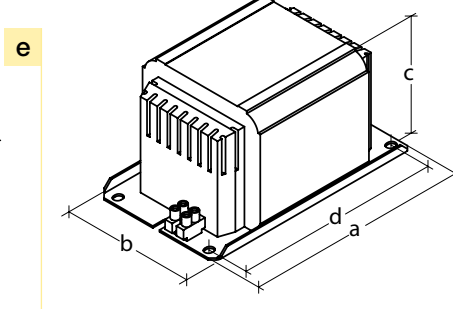
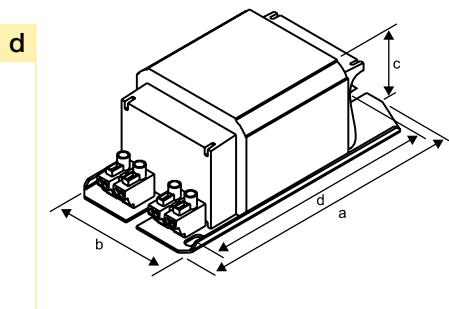
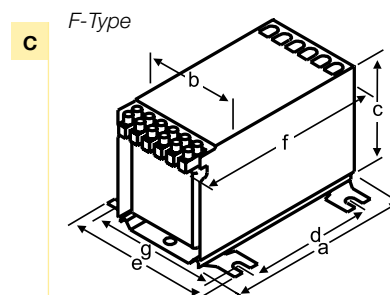
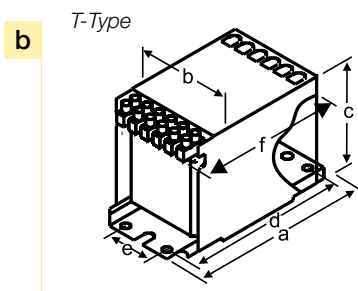
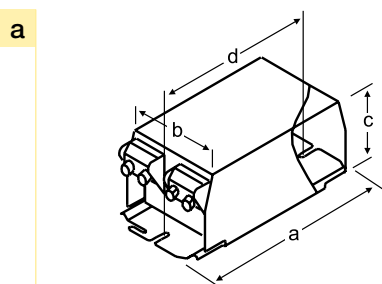
HID-ballasts



6

Dimensions

NO.	1	2	3	4	5	6	7	8	9	10	11	12	13	14
DRAWING	a	b	b	b	c	c	c	d	d	d	d	e	f	e
LENGTH 'a' (mm)	114	135	135	165	104	104	135	145	160	180	133	133	112	173
WIDTH 'b' (mm)	54	70	70	70	70	70	70	69	69	69	69	104	69	104
HEIGHT 'c' (mm)	45.5	85	85	85	85	85	85	53	53	53	53	90.5	53	90.5
'd' (mm)	95	120	120	150	90	90	100	120	140	155	120	120	95	160
'e' (mm)		35	35	35	90	90	100							
'f' (mm)		85	108	138	85	108	138							
'g' (mm)					80	80	90							



Delivery information

Ballast	Unit package			Transportation package				
	Minimum delivery amount	Plastic binding strip	Carton box	EURO pallet 1200 x 800	One-way pallet 730 x 650 (pcs.)	One-way pallet 730 x 1120 (pcs.)	Pallet weight (kg)	Pallet height (cm)
E-LU, E-LUP	4	●		432	960	527 - 1170	50	
E...LU/LUP/LUS	4	●			432	960	527-1170	50
NK ...LU/LUP/LUS								
E250 - 400T								
H400T	5		●			300	530-750	48
NK250T								
E250 - 400F								
H400F	4		●			240	530-1060	48
NK250F								
NK400T/F, NK400/50% TP								
E...SE/SEP								
NK100/70SEP	3	●		360-450-630			820-910	50-55
NK150-250SE/SEP								
NK250/50% SEP	2	●		200			710	54
NK600 T,F/2								
NK1000 T,F/2	2*		●			120 (240)	760-1060	48
H1000 F/2								