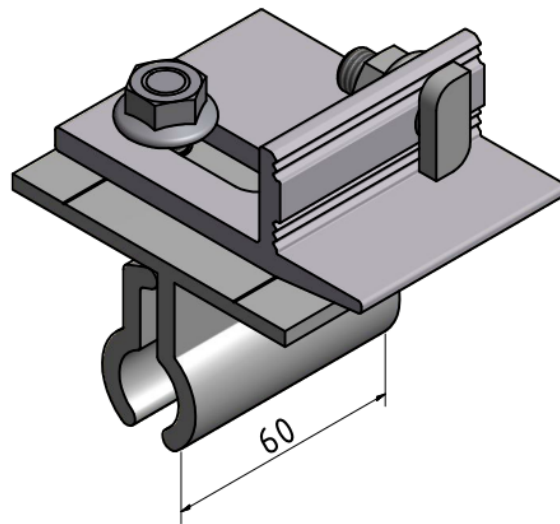


# Technical data sheet

## Original Kalzip® Clamp + Universal Connector

Updated: 02.05.2016



Parameter	Values
Material	aluminium, stainless steel
Area of application	Kalzip® - standing seam roofs of aluminium

Subject to errors and modifications.