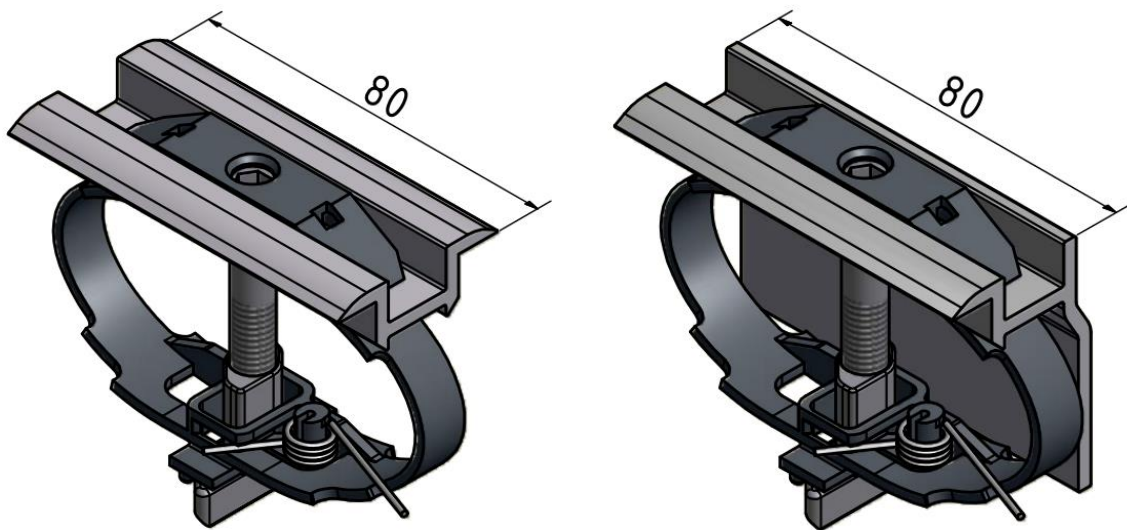


# Technical data sheet

## Module Clamp G3

Updated: 22.01.2020



Parameter	Values
Material	aluminium, stainless steel, plastic
Surface	natural or black
Module type	framed
Module frame heights Middle Clamp G3 in mm	30 - 50
Module frame heights End Clamps G3 in mm	30, 31, 32, 33, 35, 38, 40, 42, 45, 46, 50

Subject to errors and modifications.