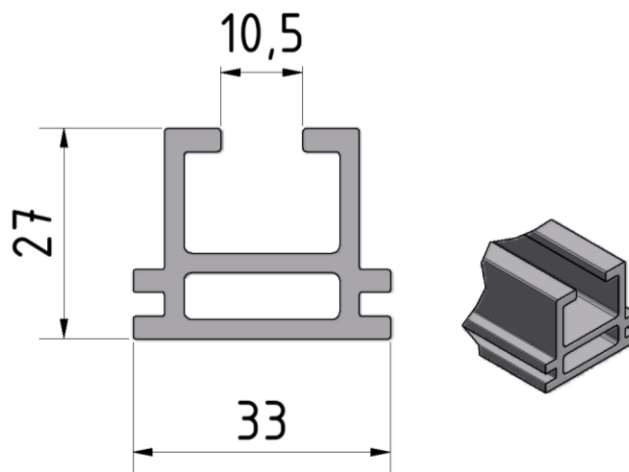


# Technical data sheet

## Support Rail TF27-T

Updated: 21.01.2020



Parameter	Values
Material	aluminium (EN AW-6063 T66)
Height in mm	27.0
Length in mm	2250 / 3300 / 5500
Weight in kg/m	0.85
Moment of resistance $W_x$ in $\text{cm}^3$	1.310
Moment of resistance $W_y$ in $\text{cm}^3$	1.900
Moment of inertia $I_x$ in $\text{cm}^4$	2.180
Moment of inertia $I_y$ in $\text{cm}^4$	3.140
Total area $A$ in $\text{cm}^2$	3.040

Subject to errors and modifications.