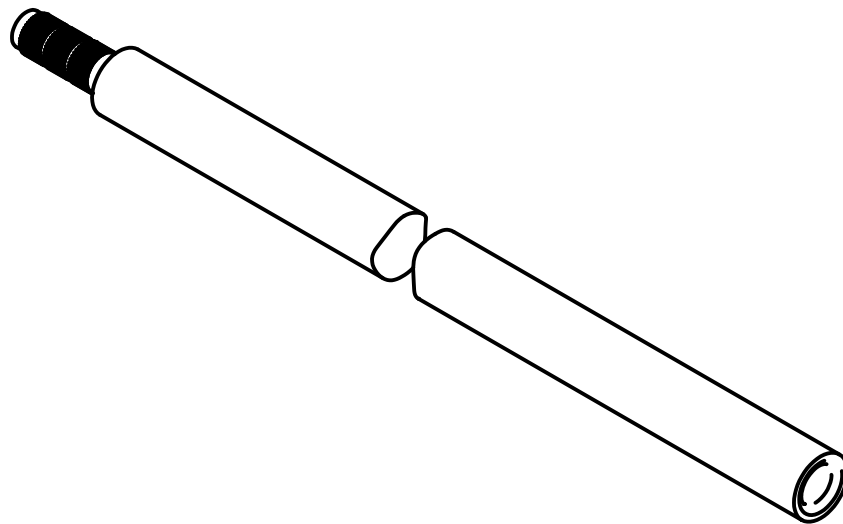
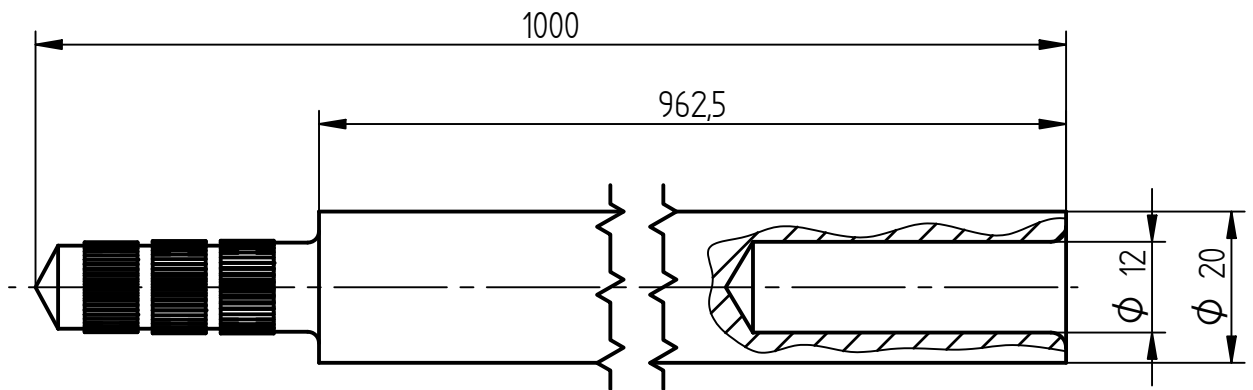


Product Specification

Ord.-No.: **110 029**

Specification: Earth rod, St/tZn, Ø 20 mm, 1000 mm
JP/type A, with triple knurling

Performance: Earth rod according to DIN EN 62561-2 to be used in
earth termination systems.



Material	St/tZn
Length	1000 mm
Diameter	Ø 20 mm
Coupling	JP/type A, triple knurling
Short-circuit current (50 Hz), 1 s, ≤ 300 °C	7.9 kA
Weight	ca. 2,5 kg
Standard reference	DIN EN 62561-2
Packing unit	6 units