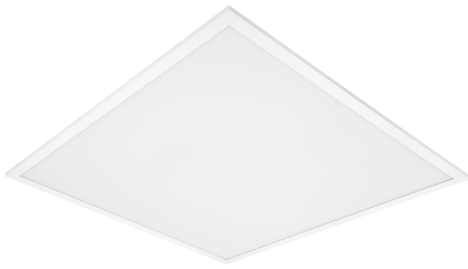


PRODUCT DATASHEET

PANEL 600 UGR < 19 36 W 3000 K MP WT

PANEL PFM HO 600 UGR < 19 | Square recessed panel luminaires with high luminous flux and low glare, 600 x 600 mm



Areas of application

- Direct replacement for luminaires with fluorescent lamps
- Corridors
- Offices
- Conference rooms
- Reception areas
- Foyers
- Elevators
- Suitable for recessed ceiling systems with grid size of 600 x 600 mm

Product benefits

- High lumen output reduces the total number of panels per installation
- Good glare reduction (UGR < 19)
- Light guide plate with micro structure made of non-yellowing material for long lifetime
- Low flicker light thanks to special electronic control gear
- Energy savings of up to 50 % (compared to luminaires that use fluorescent lamps)
- 5 years guarantee

Product features

- Luminous flux: up to 4,320 lm
- High luminous efficacy: up to 120 lm/W



- Lifetime (L80/B50): up to 60,000 h (at 25 °C)
- Aluminum housing, polystyrene diffuser

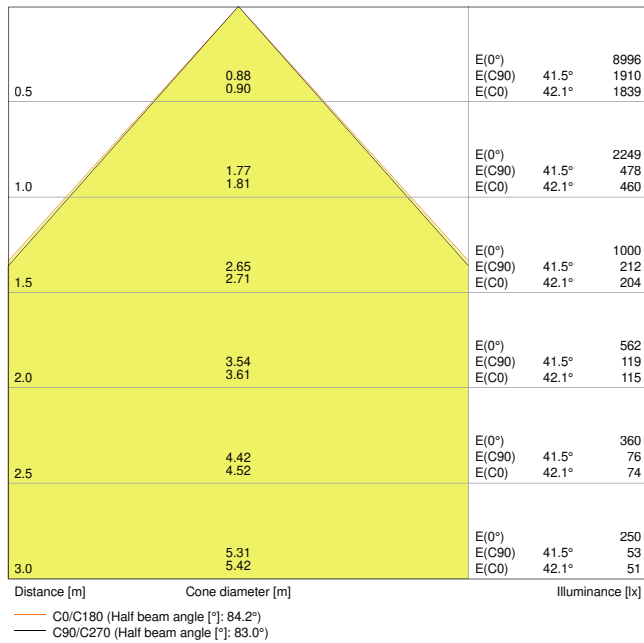
TECHNICAL DATA

Electrical data

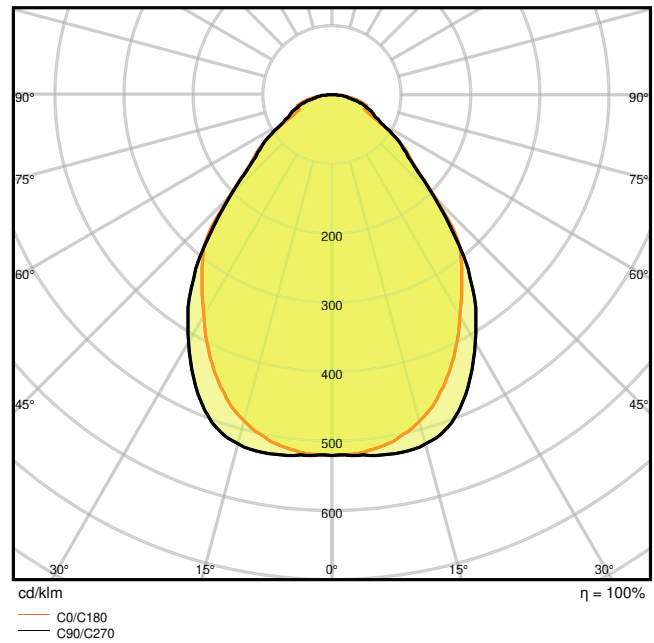
Nominal wattage	36.00 W
Nominal voltage	220...240 V
Mains frequency	50...60 Hz
Nominal current	190.000 mA
Inrush current	15 A
Max. no. of lum. on circuit break. B16 A	17
Max. no. of lum. on circuit break. C10 A	35
Max. no. of lum. on circuit break. C16 A	56
Power factor λ	> 0.95
Total harmonic distortion	≤ 20 %
Protection class	II
Operating mode	External LED driver

Photometrical data

Luminous flux	4320 lm
Luminous efficacy	120 lm/W
Color temperature	3000 K
Light color (designation)	Warm White
Color rendering index Ra	> 80
Standard deviation of color matching	3 sdc _m
Low flicker	Yes
Photobiological safety group acc. to EN62778	RG0
Beam angle	90 °
UGR	< 19



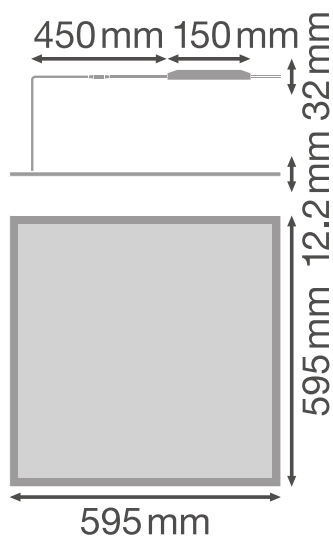
LDC typ cone



LDC typ polar

Dimensions & Weight

Length	595.00 mm
Width	595.00 mm
Height	12.20 mm
Product weight	3250.00 g



Materials & Colors

Product color	White
Housing color	White
Body material	Aluminum
Cover material	Polystyrene (PS)
Light emitting surface material	Polystyrene
Glow Wire Test according to IEC 60695-2-12	650 °C
Mercury content	0.0 mg

Application & Mounting

Ambient temperature range	-10...+40 °C
Type of connection	Screw terminal, 2-Pole (L,N)
Type of protection	IP20
Protection class IK (shock resistance)	IK03
Dimmable	No
Mounting type	Recessed/Suspended/Surface
Mounting location	Ceiling / Wall
Application environment	Indoor
Mounting length	575 mm
Mounting width	575 mm
Mounting depth	50,0 mm
LED module replaceable	Not replaceable

Lifespan

Lifespan L70/B50 at 25 °C	80000 h
Lifespan L80/B10 at 25 °C	60000 h
Lifespan L90/B10 at 25 °C	35000 h
Number of switching cycles	25000

Control gear

ECG - Length	150 mm
ECG - Width	41.4 mm
ECG - Height	32 mm








Certificates & Standards

Standards	CE / CB / ENEC / TÜV SÜD / EAC / RoHS
Ball shot safe	No

EQUIPMENT / ACCESSORIES

- Accessories for several mounting options available
- Security rope for luminaire included
- External control gear included
- Not suitable for use with Emergency Conversion Box

DOWNLOAD DATA

DOWNLOAD DATA	
	User instruction
	Certificates
	Declarations Of Conformity CE
	Declarations Of Conformity CE
	IES file (IES)
	LDT file (Eulumdat)
	R3D file (Relux 3D Model)

DOWNLOAD DATA



M3D file (3D Model)



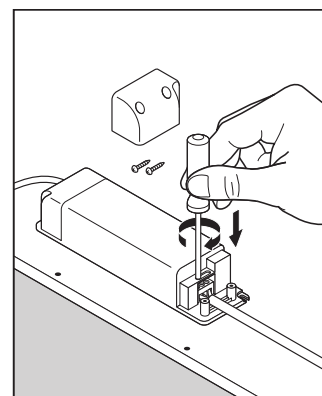
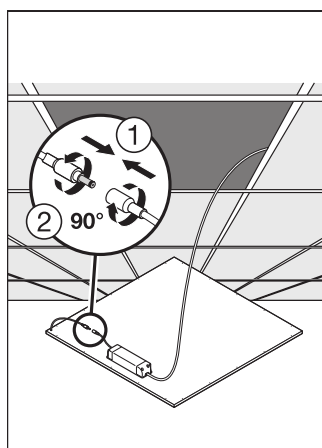
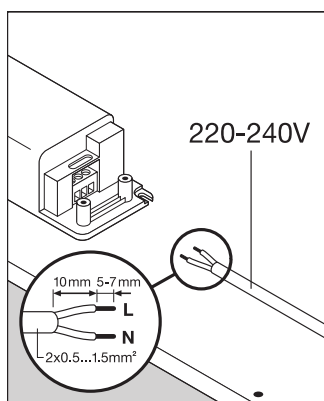
UGR file (UGR table)

LOGISTICAL DATA

Product code	Packaging unit (Pieces/Unit)	Dimensions (length x width x height)	Gross weight	Volume
4058075113107	Folding box 1	625 mm x 38 mm x 680 mm	3545.00 g	16.15 dm ³
4058075113114	Shipping box 4	695 mm x 170 mm x 645 mm	15030.00 g	76.21 dm ³

The mentioned product code describes the smallest quantity unit which can be ordered. One shipping unit can contain one or more single products. When placing an order, for the quantity please enter single or multiples of a shipping unit.

ADDITIONAL CATALOG INFORMATION



References / Links

- For Guarantee see www.ledvance.com/guarantee

DISCLAIMER

Subject to change without notice. Errors and omission excepted. Always make sure to use the most recent release.