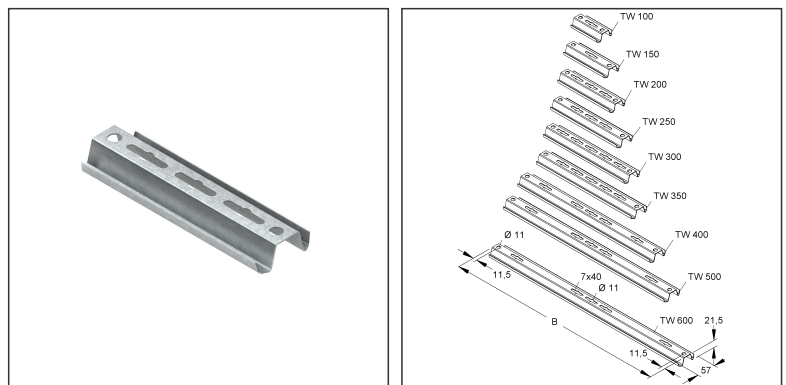


Support Angle

TW 200

EAN Code: 4013339204403
 Smallest packaging unit: 10 pcs.

the photorealistic images are to be considered as reference images



Article Description

Support angle, width 190 mm, steel, pre-galvanised according to DIN EN 10346, incl. accessories

Incl. accessories

2 FLM 6X12

Additional Price Information

Article group	N13
quantity unit	pcs.

Weight

Weight per quantity unit	190 g / pcs.
Weight in kg per 100	19 kg / 100pcs.

Technical Datasheet

Supporting structure

TW 200

the photorealistic images are to be considered as reference images

Physical Article Dimensions

Height	21.50 mm
Width	190.00 mm
Depth/length	57.00 mm

Packing Dimension

10 pieces = 1 carton		✓ VP1-smallest packaging unit (PU)	✓ VP1-preferred PU		
Lenght	205 mm	Width	120.00 mm	Height	80.00 mm
Gross weight	2,04 kg	Volume	0,002 m ³		
Min. quantity	10.00 pcs.	Max. Quantity	10.00 pcs.		

1020 pieces = 1					
Lenght	750 mm	Width	750 mm	Height	730 mm
Gross weight	248 kg	Volume	0,411 m ³		
Min. Quantity	1.020.00 pcs.	Max. Quantity	1.020.00 pcs.		

Tender Text

Support angle, for suspension of wire mesh trays, cable trays and distribution trays on the centre or both sides with a threaded rod M 10/..., including proportional fastening accessories.
for wire mesh trays : MTC..., GR..., GRS..., GRC...
for cable trays : RLV..., RLVC..., RL..., RLC..., RS..., RL CI 60..., RLCPV 85...
for distribution trays : RSV...
Dimensions (approx. dimensions)
Width W : 190 mm
Material : Steel, pre-galvanised acc. to DIN EN 10346
NIEDAX Model No.: TW 200
EP Material _____ EP Wage _____
Unit price/piece

Safety & Environment

REACH Date	04.02.2026
REACH Info	Conformable
RoHS Info	Conformable

Origin & International Trade

Country of origin	DE
Customs tariff number	73089059