

FX-QMW-G1 -TU26H25-300

WIDE Profile System | – Flex accessories

Areas of application

- Architectural Integration – e.g. coves, walls
- Ceiling integration
- Recessed lighting
- Cove lighting



Product family benefits

- Easy and quick design-in
- Plenty of freedom for attractive design and perfect functioning
- Aluminum profile robust and corrosion-resistant thanks to anodization
- Quick and easy installation

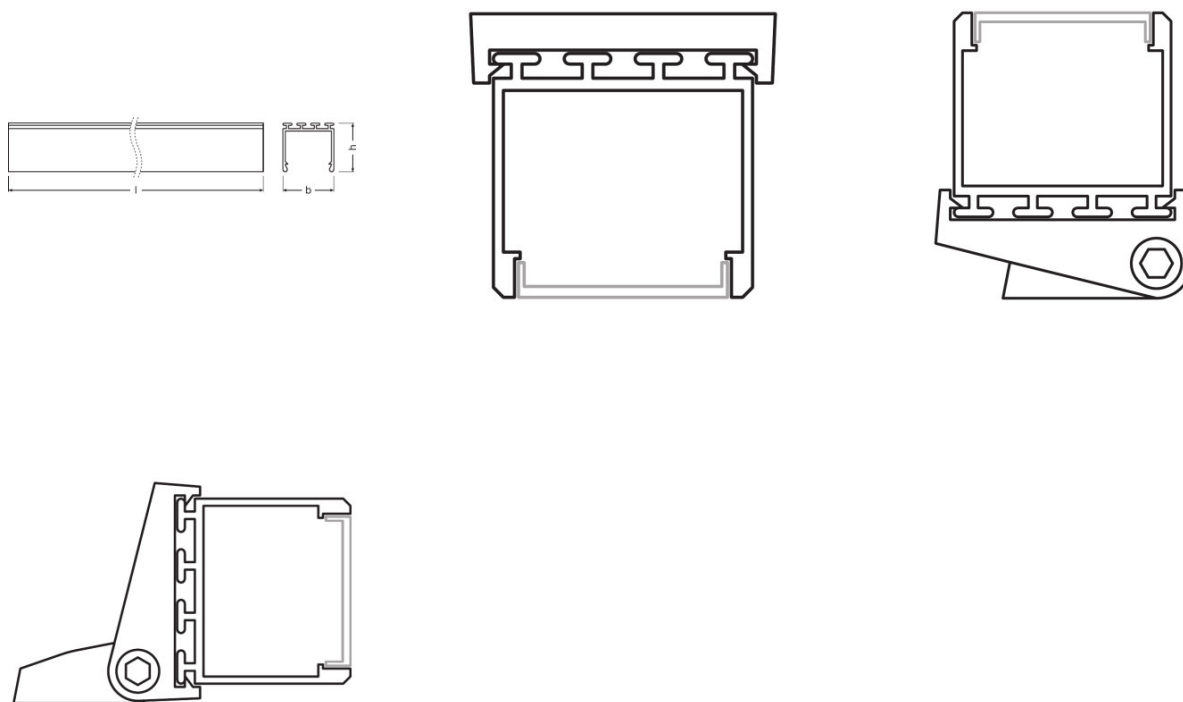
Product family features

- Can be easily combined with covers for homogeneous light distribution
- Diffused cover
- Clips for easy installation and maintenance
- Compatible with Linearlight Flex

Product datasheet

Technical data

Dimensions & weight






Product weight	762.00 g
Length	3000 mm
Width	26.0 mm
Height	24.5 mm

Logistical data

Commodity code	760429909000
-----------------------	--------------

Download Data

File	
	Product Datasheet Specification Sheet Wide Track FX-QMW-G1-TU26H25-300 (EN)
	Brochures Light is freedom of design (EN)
	CAD data CAD file wide profile TU26H25

Product datasheet



Eulumdat
Eulumdat_FX-QMW-G1-TU26H25-300_CFDB



Eulumdat
Eulumdat_FX-QMW-G1-TU26H25-300_CRD

Logistical Data

Product code	Product description	Packaging unit (Pieces/Unit)	Dimensions (length x width x height)	Volume	Gross weight
4052899448803	FX-QMW-G1 -TU26H25-300	Shipping carton box 20	3020 mm x 150 mm x 150 mm	67.95 dm ³	16800.00 g

The mentioned product code describes the smallest quantity unit which can be ordered. One shipping unit can contain one or more single products. When placing an order, for the quantity please enter single or multiples of a shipping unit.

Disclaimer

Subject to change without notice. Errors and omission excepted. Always make sure to use the most recent release.