



Pila Wall-mounted

PILA WL007C LED14S/740 PSU OVL WH

Pila Wall-mounted WL007C – LED Module, system flux 1400 lm –
740 neutral white – Power supply unit – Oval – White

- A wide range of applications
- Energy-saving
- Durability
- Simple switch from conventional to LED luminaires
- Quick installation

Product data

General Information	
Lamp family code	LED14S [LED Module, system flux 1400 lm]
Beam angle of light source	120°
Light source color	740 neutral white
Cap base	-
Light source replaceable	No
Number of gear units	1 unit
Driver/power unit/transformer	PSU [Power supply unit]
Driver included	Yes
Emergency Lighting	No
Optic type	Frosted
Luminaire light beam spread	Very wide
Control interface	No
Connection	Push-in connector
Cable	-
Protection class IEC	Safety class II
CE mark	Yes
EU RoHS compliant	Yes
Constant light output	No
Product family code	WL007C [Pila Wall-mounted]
Unified glare rating CEN	-

Operating and Electrical	
Input Voltage	220-240 V
Input Frequency	50 to 60 Hz
Power Factor (Min)	>0.9

Controls and Dimming	
Dimmable	No

Mechanical and Housing	
Housing Material	Polycarbonate
Optical cover/lens finish	Frosted
Overall diameter (A)	170 mm
Overall depth (B)	50 mm
Color	White

Approval and Application	
Ingress protection code	IP65 [dust penetration-protected, jet-proof]
Mech. impact protection code	IK06 [1 J]

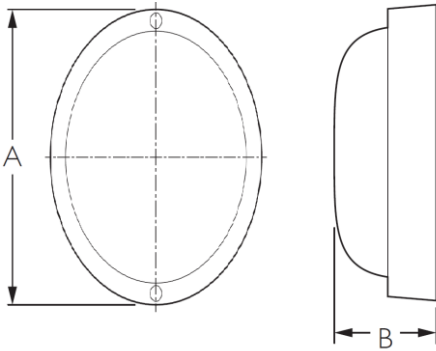
Initial Performance (IEC Compliant)	
Initial luminous flux (system flux)	1400 lm
Initial LED luminaire efficacy	93.3 lm/W
Init. Corr. Color Temperature	4000 K
Init. Color Rendering Index	70
Initial input power	15 W

Pila Wall-mounted

Over Time Performance (IEC Compliant)	
Lifetime [h]	35,000

Product Data	
Full product code	871016333510099
Order product name	PILA WL007C LED14S/740 PSU OVL WH
EAN/UPC - Product	8710163335100
Order code	33510099
Numerator - Quantity Per Pack	1
Numerator - Packs per outer box	1
Material Nr. (12NC)	911401735132

Dimensional drawing



Pila Wall-mounted WL007C



© 2021 Signify Holding All rights reserved. Signify does not give any representation or warranty as to the accuracy or completeness of the information included herein and shall not be liable for any action in reliance thereon. The information presented in this document is not intended as any commercial offer and does not form part of any quotation or contract, unless otherwise agreed by Signify.

www.lighting.philips.com

2021, March 11 - data subject to change