

Positioners suitable for use with the modulating damper actuators LM..A-SR, NM..A-SR, SM..A-SR and GM..A-SR

- For front-panel mounting


**Technical data**

<b>Electrical data</b>	Nominal voltage	AC/DC 24 V
	Nominal voltage frequency	50/60 Hz
	Nominal voltage range	AC 19.2...28.8 V / DC 19.2...28.8 V
	Power consumption in operation	0.3 W
	Power consumption for wire sizing	1 VA
	Output power	for a maximum of 10 actuators
	Connection supply / control	Terminals 1.5 mm <sup>2</sup>
<b>Functional data</b>	Positioning signal Y	DC 2...10 V
	Positioning signal Y note	DC 0...10V switchable with slide switch
	Operating range Y note	Reversible operating range DC 0...10V or DC 2...10V
	Scale	0...100% (angle of rotation can be limited mechanically with rotary knob)
<b>Safety</b>	Protection class IEC/EN	III Safety extra-low voltage
	Degree of protection IEC/EN	IP40 (IP54 with cable glands)
	EMC	CE according to 2004/108/EC
	Principle of operation	Type 1.B
	Ambient temperature	-20...50 °C
	Non-operating temperature	-40...80 °C
	Humidity test	In according to EN60730-1
Maintenance	Maintenance-free	
<b>Weight</b>	Weight approx.	0.05 kg

**Safety notes**


- The positioner is not allowed to be used outside the specified field of application, especially in aircraft or in any other airborne means of transport.
- It may only be installed by suitably trained personnel. Any legal regulations or regulations issued by authorities must be observed during assembly.
- The device may only be opened at the manufacturer's site. It does not contain any parts that can be replaced or repaired by the user.
- The device contains electrical and electronic components and is not allowed to be disposed of as household refuse. All locally valid regulations and requirements must be observed.

**Product features**

- Application** The positioner is used for the (remote) control of modulating damper actuators or as a minimum positioner (lower limitation of output signals from modulating controllers). The adjustment range is 0...100% angle of rotation of the connected actuator.
- Large range** The positioner is supplied with operating voltage via terminals 1 and 2. Proportionate to the position of the rotary knob, a positioning signal Y is generated which is either DC 2...10V or DC 0...10V or a position change occurs at the actuator within the range of 0...100%. The angle of rotation of the adjustment knob can be subjected to mechanical limitation.

Product features

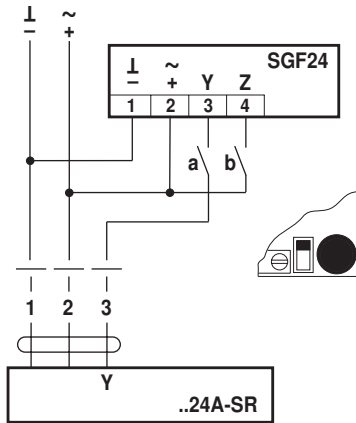
**Easy switching** The switching from DC 2...10V to DC 0...10V is accomplished by means of a slide switch on the printed circuit board.

Electrical installation



**Notes** • Connection via safety isolating transformer.

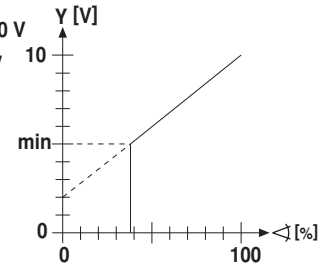
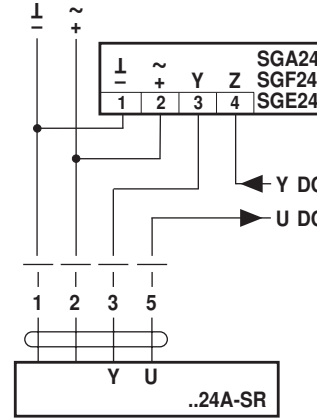
Wiring diagrams



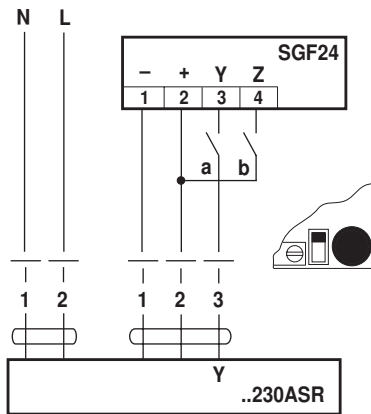
☐ Y = DC 2...10 V  
 ☐ Y = DC 0...10 V

a	b	Y
↘	↘	0 %
↘	↗	0 %
↗	↘	0...100 %
↗	↗	100 %

Minimum limit



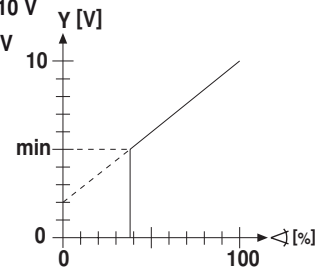
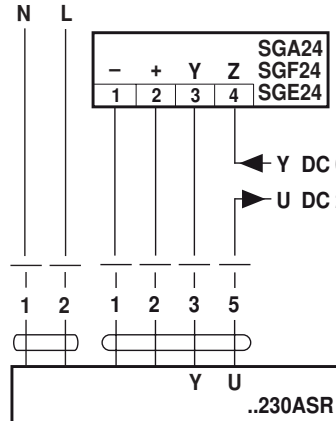
**Notes** • Caution: Power supply voltage!



☐ Y = DC 2...10 V  
 ☐ Y = DC 0...10 V

a	b	Y
↘	↘	0 %
↘	↗	0 %
↗	↘	0...100 %
↗	↗	100 %

Minimum limit



Dimensions [mm]

Dimensional drawings

