

Presence detector

IR Quattro HD

Dali

EAN 4007841 002756

STEINEL[®]
PROFESSIONAL



infrared sensor



max. 8m x 8m
presence

HD

4800 zones

2000w

max. 2000 W



IP20



ideal 2,5 - 10 m



indoor sensor

iQ

iQ-mode



energy saving

5 JAHRE
HERSTELLER
GARANTIE

manufacturer's
warranty
[steinel-professional.de/garantie](https://www.steinel.de/garantie)

Function description

Detection no finer! Infrared presence detector Presence Control PRO IR Quattro HD DALI for indoors, ideal for medium to large-size offices, conference and meeting rooms, classrooms and lecture theatres, sports halls and warehouses, installation height up to 10 m, with digital DALI interface for controlling 2 lighting channels, 4800 switching zones for the ultimate in detection quality, presence detection over a true 64 m², square detection zone, mechanically scalable.

IR Quattro HD

Dali

EAN 4007841 002756

Technical specifications

Type	Presence detector
Dimensions (L x W x H)	120 x 120 x 50 mm
Mains power supply	230 V / 50 – 60 Hz
Sensor Technology	passive infrared
Application, place	Indoors
Application, place, room	Open-plan office, high-bay warehouse, conference room, sports hall, classroom
Installation site	ceiling
Type of installation	Concealed wiring
Switching zones	4800 switching zones
Electronic scalability	No
Mechanical scalability	Yes
Mounting height	2,50 – 10,00 m
Optimum mounting height	2,8 m
Detection angle	360 °
Sneak-by guard	Yes
Capability of masking out individual segments	No
Reach, radial	8 x 8 m (64 m ²)
Reach, tangential	20 x 20 m (400 m ²)
Reach, presence	8 x 8 m (64 m ²)
Twilight setting TEACH	Yes
Twilight setting	10 – 1000 lx

Time setting	30 s – 30 Min.
Control output, Dali	Broadcast 2x12 electronic ballasts
Constant-lighting control	Yes
Basic light level function	Yes
Basic light level function in per cent	10 – 50 %
Basic light level function time	1-60 min, all night
Basic light level function percentage, from	10 %
Basic light level function percentage, up to	50 %
Functions	Normal / test mode, Semi-/fully automatic, Pushbutton / switch mode, Manual ON / ON-OFF, Constant-lighting control ON-OFF
Settings via	Remote control, DIP switches, Potentiometers
With remote control	No
Interconnection	Yes
Type of interconnection	Master/slave
IP rating	IP20
Material	Plastic
Ambient temperature	-25 – 55 °C
Colour	white
Colour, RAL	9010
Manufacturer's Warranty	5 years
Version	Dali
PU1, EAN	4007841002756

Accessories

EAN 4007841 592806	User remote control RC5
EAN 4007841 003036	Control PRO guard cage
EAN 4007841 000363	Surface-mounting adapter Control PRO AP Box (IP54)
EAN 4007841 009151	Remote control Smart Remote
EAN 4007841 559410	Service remote control RC8

Presence detector

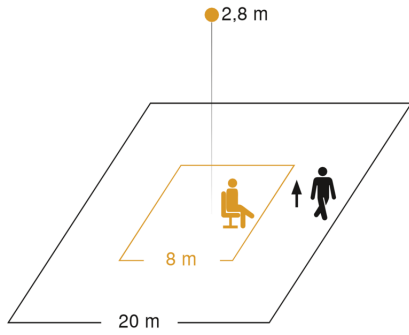
IR Quattro HD

Dali

EAN 4007841 002756



Detection Zone

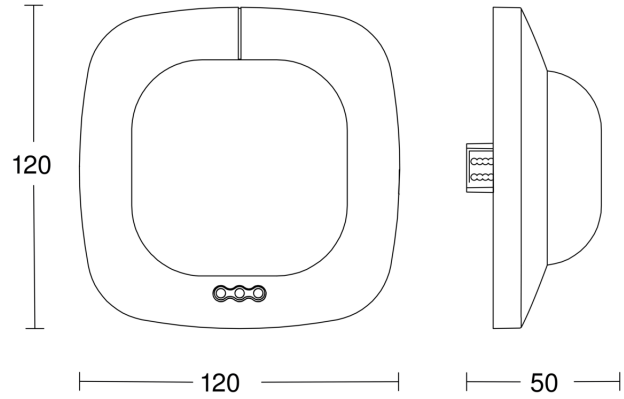


Mögliche Montagehöhe: 2,50 m – 10,00 m

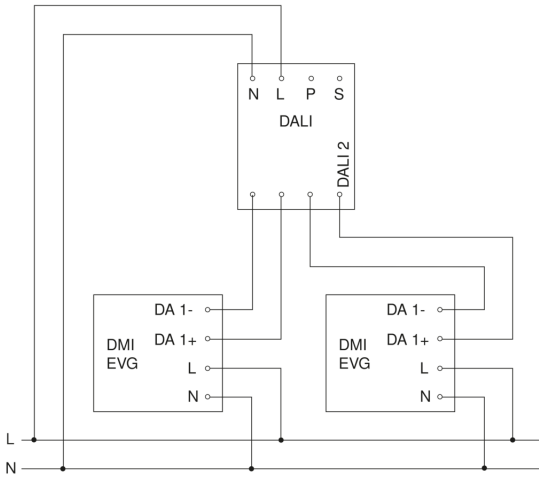
Orange: Präsenz

Schwarz: tangential

Dimension Drawing



Master circuit diagram



Master/slave interconnection circuit diagram

