

Presence detector

# IR Quattro HD

COM2

EAN 4007841 002770

**STEINEL**<sup>®</sup>  
PROFESSIONAL



infrared sensor



max. 8m x 8m  
presence

**HD**

4800 zones

**2000w**

max. 2000 W



ideal 2,5 - 10 m



indoor sensor

**iQ**

iQ-mode



energy saving

**5 JAHRE**  
HERSTELLER  
GARANTIE

manufacturer's  
warranty  
steinel-professional.de/garantie

**CE**

CE

## Function description

Detection no finer! Infrared presence detector Presence Control PRO IR Quattro HD COM2 for indoors, ideal for medium to large-size offices, conference and meeting rooms, classrooms and lecture theatres, sports halls and warehouses, installation height up to 10 m, for switching light as well as HVAC 'ON' and 'OFF', 4800 switching zones for the ultimate in detection quality, presence detection over a true 64 m<sup>2</sup>, square detection zone, mechanically scalable.

## Technical specifications

Type	Presence detector
Dimensions (L x W x H)	120 x 120 x 70 mm
Mains power supply	230 V / 50 – 60 Hz
Sensor Technology	passive infrared
Application, place	Indoors
Application, place, room	Open-plan office, high-bay warehouse, conference room, sports hall, classroom
Installation site	ceiling
Type of installation	Concealed wiring
Switching zones	4800 switching zones
Electronic scalability	No
Mechanical scalability	Yes
Mounting height	2,50 – 10,00 m
Optimum mounting height	2,8 m
Detection angle	360 °
Sneak-by guard	Yes
Capability of masking out individual segments	No
Reach, radial	8 x 8 m (64 m <sup>2</sup> )
Reach, tangential	20 x 20 m (400 m <sup>2</sup> )

Reach, presence	8 x 8 m (64 m <sup>2</sup> )
Twilight setting TEACH	Yes
Twilight setting	10 – 1000 lx
Time setting	30 s – 30 Min.
Constant-lighting control	No
Basic light level function	No
Functions	Normal / test mode, Semi-/fully automatic, Pushbutton / switch mode, Manual ON / ON-OFF, Constant-lighting control ON-OFF
With remote control	No
Interconnection	Yes
Type of interconnection	Master/slave, Master/master
IP rating	IP20
Material	Plastic
Ambient temperature	-25 – 55 °C
Colour	white
Colour, RAL	9010
Manufacturer's Warranty	5 years
Version	COM2
PU1, EAN	4007841002770

<https://www.steinel.de>

Presence detector

# IR Quattro HD

COM2

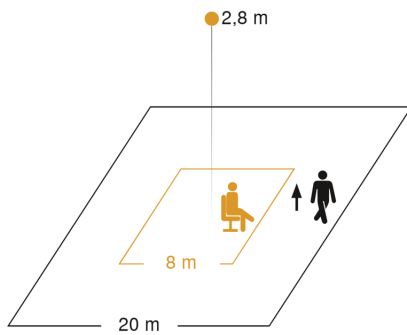
EAN 4007841 002770



## Accessories

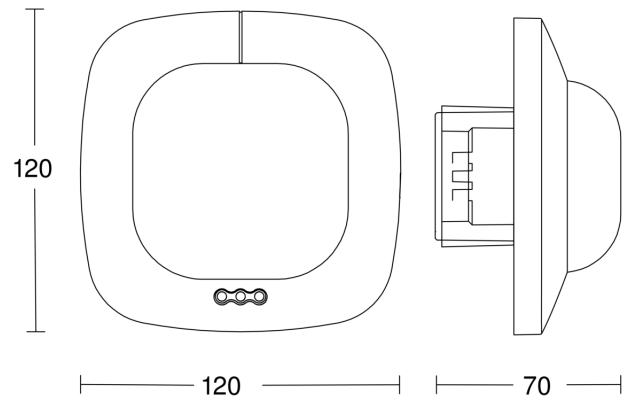
EAN 4007841 003036	Control PRO guard cage
EAN 4007841 000363	Surface-mounting adapter Control PRO AP Box (IP54)
EAN 4007841 009151	Remote control Smart Remote
EAN 4007841 559410	Service remote control RC8

## Detection Zone

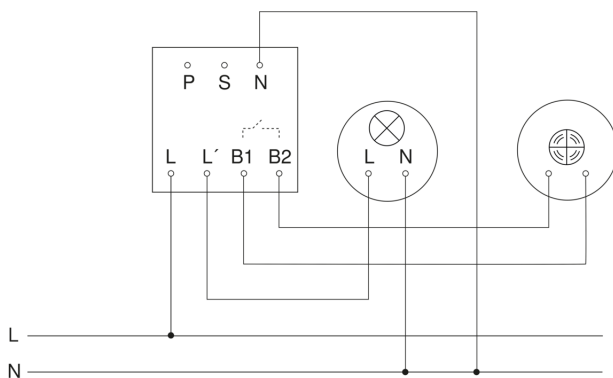


Mögliche Montagehöhe: 2,50 m – 10,00 m  
Orange: Präsenz  
Schwarz: tangential

## Dimension Drawing



## Master circuit diagram



## Master/slave interconnection circuit diagram

