

Presence detector

IR Quattro HD

COM1

EAN 4007841 002794

STEINEL[®]
PROFESSIONAL



infrared sensor



max. 8m x 8m
presence

HD

4800 zones

2000w

max. 2000 W



ideal 2,5 - 10 m



indoor sensor

iQ

iQ-mode



energy saving

5 JAHRE
HERSTELLER
GARANTIE

manufacturer's
warranty
steinel-professional.de/garantie

CE

CE

Function description

Detection no finer! Infrared presence detector Presence Control PRO IR Quattro HD COM1 for indoors, ideal for medium to large-size offices, conference and meeting rooms, classrooms and lecture theatres, sports halls and warehouses, installation height up to 10 m, for switching light 'ON' and 'OFF', 4800 switching zones for the ultimate in detection quality, presence detection over a true 64 m², square detection zone, mechanically scalable.

Technical specifications

Type	Presence detector	Reach, presence	8 x 8 m (64 m ²)
Dimensions (L x W x H)	120 x 120 x 70 mm	Twilight setting TEACH	Yes
Mains power supply	230 V / 50 – 60 Hz	Twilight setting	10 – 1000 lx
Sensor Technology	passive infrared	Time setting	30 s – 30 Min.
Application, place	Indoors	Constant-lighting control	No
Application, place, room	Open-plan office, high-bay warehouse, conference room, sports hall, classroom	Basic light level function	No
Installation site	ceiling	Functions	Normal / test mode, Semi-/fully automatic, Pushbutton / switch mode, Manual ON / ON-OFF, Constant-lighting control ON-OFF
Type of installation	Concealed wiring	With remote control	No
Switching zones	4800 switching zones	Interconnection	Yes
Electronic scalability	No	Type of interconnection	Master/slave, Master/master
Mechanical scalability	Yes	IP rating	IP20
Mounting height	2,50 – 10,00 m	Material	Plastic
Optimum mounting height	2,8 m	Ambient temperature	-25 – 55 °C
Detection angle	360 °	Colour	white
Sneak-by guard	Yes	Colour, RAL	9010
Capability of masking out individual segments	No	Manufacturer's Warranty	5 years
Reach, radial	8 x 8 m (64 m ²)	Version	COM1
Reach, tangential	20 x 20 m (400 m ²)	PU1, EAN	4007841002794

<https://www.steinel.de>

Presence detector

IR Quattro HD

COM1

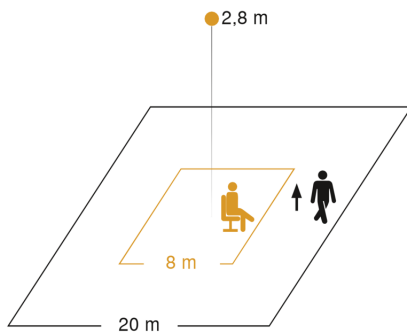
EAN 4007841 002794

STEINEL[®]
PROFESSIONAL

Accessories

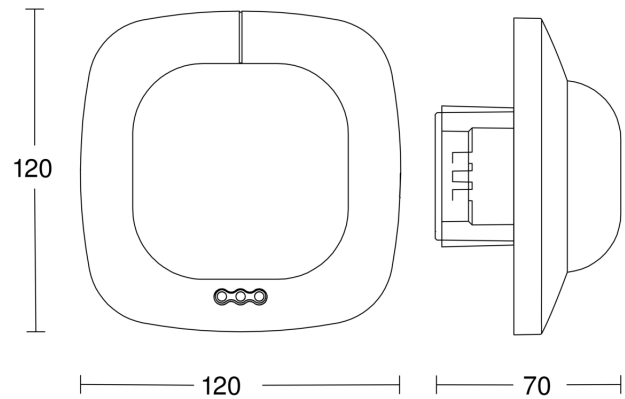
EAN 4007841 000363	Surface-mounting adapter Control PRO AP Box (IP54)
EAN 4007841 003036	Control PRO guard cage
EAN 4007841 009151	Remote control Smart Remote
EAN 4007841 559410	Service remote control RC8

Detection Zone

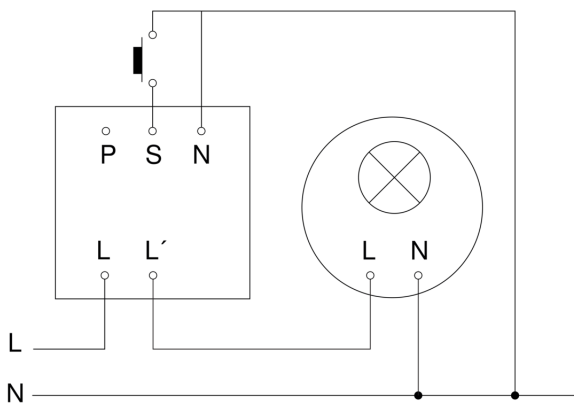


Mögliche Montagehöhe: 2,50 m – 10,00 m
Orange: Präsenz
Schwarz: tangential

Dimension Drawing



Master circuit diagram



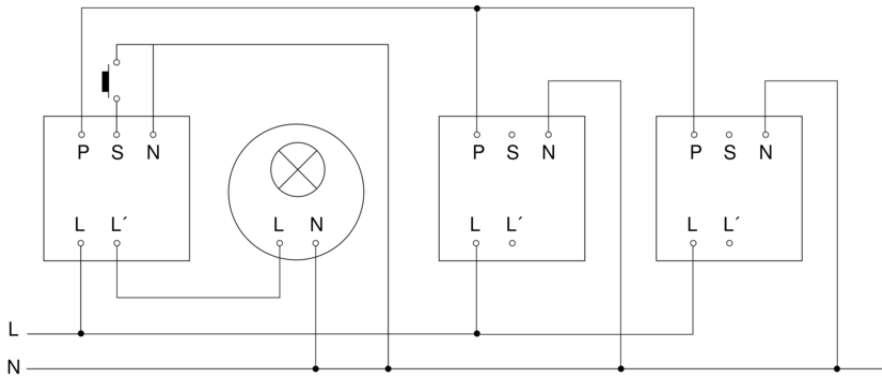
Presence detector

IR Quattro HD

COM1

EAN 4007841 002794

Master/slave interconnection circuit diagram



Master/master interconnection circuit diagram

