

Presence detector

Dual US

COM2

EAN 4007841 007850

STEINEL[®]
PROFESSIONAL



ultrasonic sensor
360°



3 x 20 m

2000w

max. 2000 W



10 - 1000 lux



ideal 2,5 - 3,5 m



indoor sensor

TEACH

Teach mode

iQ

IQ-mode



energy saving

5 JAHRE
HERSTELLER
GARANTIE

manufacturer's
warranty
steinel-professional.de/garantie

Function description

Watches over the entire corridor. And can see around corners. DUAL US ultrasonic motion detector, ideal for corridors and passageways. Reliable detection within 20 m, envelops objects as opposed to penetrating them, detection regardless of temperature, electronically adjustable reach, COM2 for switching light ON and OFF and also for operating HVAC.

Technical specifications

Type	Presence detector
Dimensions (L x W x H)	120 x 120 x 73 mm
Mains power supply	220 – 240 V / 50 – 60 Hz
Sensor Technology	Ultrasonic
Application, place	Indoors
Application, place, room	corridor, aisle
Installation site	ceiling
Type of installation	Concealed wiring
Electronic scalability	Yes
Mechanical scalability	No
Mounting height	2,50 – 3,50 m
Optimum mounting height	2,8 m
Detection angle	360 °
Sneak-by guard	Yes
Reach, radial	20 x 3 m (60 m ²)
Reach, tangential	20 x 3 m (60 m ²)

Twilight setting TEACH	Yes
Twilight setting	10 – 1000 lx
Time setting	30 s – 30 Min.
Constant-lighting control	No
Basic light level function	No
With remote control	Yes
Interconnection	Yes
Type of interconnection	Master/slave, Master/master
IP rating	IP20
Material	Plastic
Ambient temperature	-25 – 55 °C
Colour	white
Colour, RAL	9010
Manufacturer's Warranty	5 years
Version	COM2
PU1, EAN	4007841007850

Accessories

EAN 4007841 009151	Remote control Smart Remote
EAN 4007841 559410	Service remote control RC8

<https://www.steinel.de>

Presence detector

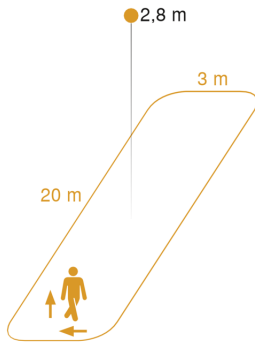
Dual US

COM2

EAN 4007841 007850

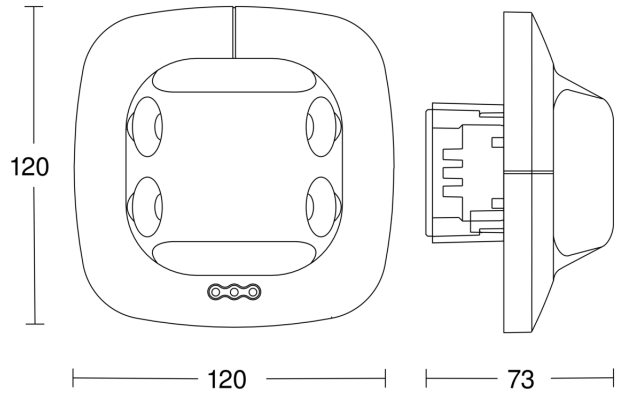


Detection Zone

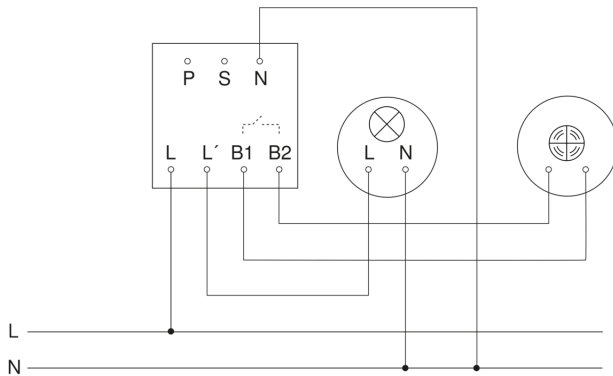


Mögliche Montagehöhe: 2,50 m – 3,50 m
Orange: radial und tangential

Dimension Drawing



Master circuit diagram



Master/slave interconnection circuit diagram

