

Presence detector

# US 360

COM2

EAN 4007841 007942

**STEINEL**<sup>®</sup>  
PROFESSIONAL



ultrasonic sensor  
360°



max. Ø 6 m  
presence

2000w

max. 2000 W



10 - 1000 lux



ideal 2,5 - 3,5 m



indoor sensor

TEACH

Teach mode



IQ-mode



energy saving

5 JAHRE  
HERSTELLER  
GARANTIE

manufacturer's  
warranty  
[steinel-professional.de/garantie](http://steinel-professional.de/garantie)

## Function description

Detects without obstructions. 360° ultrasonic presence detector US 360, ideal for offices, conference rooms, store rooms and class rooms. 36 sq.m. presence detection zone, immune to obstacles, envelops objects as opposed to penetrating them, detection regardless of temperature, electronically adjustable reach, COM2 for switching light ON and OFF and well as for operating HVAC.

## Technical specifications

Type	Presence detector
Dimensions (L x W x H)	120 x 120 x 68 mm
Mains power supply	230 V / 50 – 60 Hz
Sensor Technology	Ultrasonic
Application, place	Indoors
Application, place, room	classroom, One-person office, Open-plan office, conference room, side room, stairwell, washroom, wc, equipment room
Installation site	ceiling
Type of installation	Concealed wiring
Electronic scalability	Yes
Mechanical scalability	No
Mounting height	2,50 – 3,50 m
Optimum mounting height	2,8 m
Detection angle	360 °
Sneak-by guard	Yes
Reach, radial	Ø 10 m (79 m <sup>2</sup> )
Reach, tangential	Ø 10 m (79 m <sup>2</sup> )
Reach, presence	Ø 6 m (28 m <sup>2</sup> )

Twilight setting TEACH	Yes
Twilight setting	10 – 1000 lx
Time setting	30 s – 30 Min.
Constant-lighting control	No
Basic light level function	No
With remote control	No
Interconnection	Yes
Type of interconnection	Master/slave, Master/master
IP rating	IP20
Material	Plastic
Ambient temperature	-25 – 55 °C
Colour	white
Colour, RAL	9010
Manufacturer's Warranty	5 years
Version	COM2
PU1, EAN	4007841007942

<https://www.steinel.de>

Presence detector

# US 360

COM2

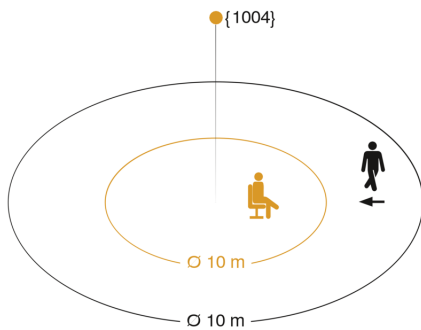
EAN 4007841 007942

## Accessories

EAN 4007841 009151 Remote control Smart Remote

EAN 4007841 559410 Service remote control RC8

## Detection Zone

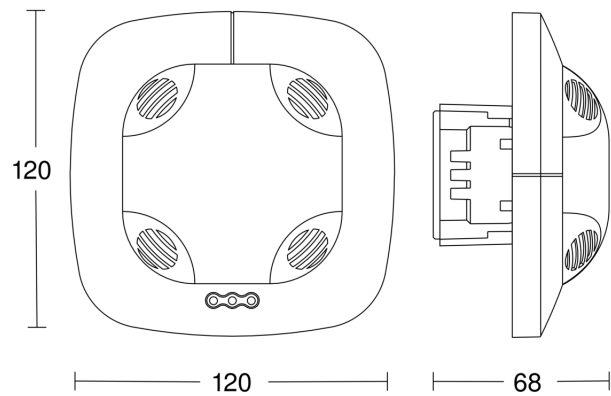


Mögliche Montagehöhe: 2,50 m – 3,50 m

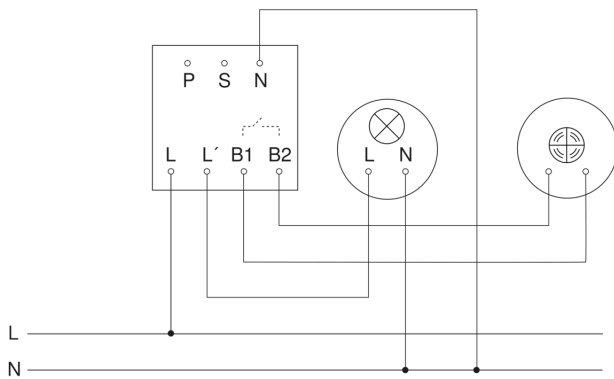
Orange: Präsenz und tangential

Schwarz: radial

## Dimension Drawing



## Master circuit diagram



## Master/slave interconnection circuit diagram

