

Presence detector

DualTech

COM2

EAN 4007841 008000

STEINEL[®]
PROFESSIONAL



ultrasonic sensor
360°



max. Ø 6 m
presence

2000w

max. 2000 W



10 - 1000 lux



ideal 2,5 - 3,5 m



indoor sensor

TEACH

Teach mode



IQ-mode



energy saving

5 JAHRE
HERSTELLER
GARANTIE

manufacturer's
warranty
steinel-professional.de/garantie

Function description

The best of both worlds. Combined in one detector. Ultrasonic presence detector DualTech, ideal for offices, conference rooms and class rooms. 36 sq.m. presence zone, ultrasonic technology provides reliable detection behind objects regardless of temperature, additional detection capability with PIR technology, electronic adjustment for ultrasonic reach, COM2 for switching light ON and OFF and also operating HVAC.

Technical specifications

Type	Presence detector
Dimensions (L x W x H)	120 x 120 x 68 mm
Mains power supply	220 – 240 V / 50 – 60 Hz
Sensor Technology	Ultrasonic
Application, place	Indoors
Application, place, room	One-person office, classroom, Open-plan office
Installation site	ceiling
Type of installation	Concealed wiring
Ultrasonic technology	40 kHz
Electronic scalability	Yes
Mechanical scalability	No
Mounting height	2,50 – 3,50 m
Optimum mounting height	2,8 m
Detection angle	360 °
Sneak-by guard	Yes
Reach, radial	Ultrasonic: Ultraschall: Ø 10 m (Ultraschall: 79 m ²)
Reach, tangential	Ultrasonic: Ultraschall: Ø 10 m (Ultraschall: 79 m ²)
Reach, presence	Ultrasonic: Ultraschall: Ø 6 m (Ultraschall: 28 m ²)
Sensor Technology 2	passive infrared

Reach, radial 2	passive infrared: Passiv Infrarot: Ø 4 m (Passiv Infrarot: 13 m ²)
Reach, tangential 2	passive infrared: Passiv Infrarot: Ø 8 m (Passiv Infrarot: 50 m ²)
Reach, presence 2	passive infrared: Passiv Infrarot: Ø 4 m (Passiv Infrarot: 13 m ²)
Twilight setting TEACH	Yes
Twilight setting	10 – 1000 lx
Time setting	30 s – 30 Min.
Constant-lighting control	No
Basic light level function	No
With remote control	No
Interconnection	Yes
Type of interconnection	Master/slave, Master/master
IP rating	IP20
Material	Plastic
Ambient temperature	-25 – 55 °C
Colour	white
Colour, RAL	9010
Manufacturer's Warranty	5 years
Version	COM2
PU1, EAN	4007841008000

<https://www.steinel.de>

Presence detector

DualTech

COM2

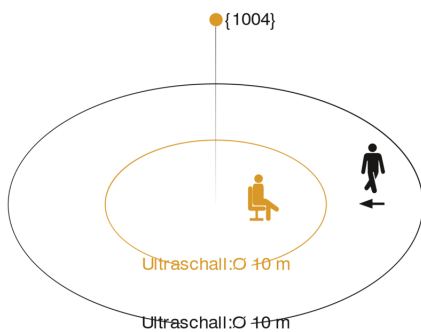
EAN 4007841 008000



Accessories

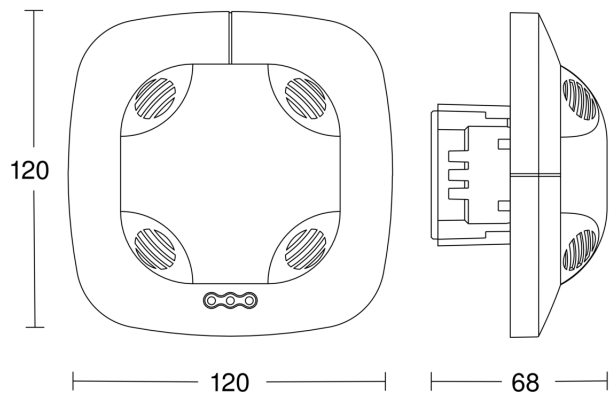
EAN 4007841 009151	Remote control Smart Remote
EAN 4007841 559410	Service remote control RC8

Detection Zone

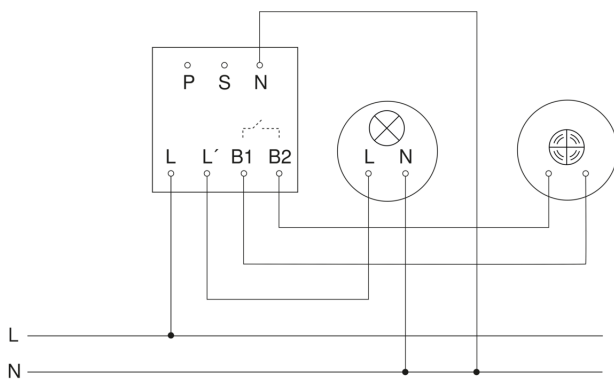


Mögliche Montagehöhe: 2,50 m – 3,50 m
Orange: Präsenz und tangential
Schwarz: radial

Dimension Drawing



Master circuit diagram



Master/slave interconnection circuit diagram

