

Motion detector

# IS 3180

COM1 - surface, sq.  
EAN 4007841 009113

**STEINEL**<sup>®</sup>  
PROFESSIONAL



infrared sensor  
180°



max. 20 m

2000w

max. 2000 W



IP54



2 - 1000 lux



5 sec - 15 min



Ideal 2 m

TEACH

Teach mode



energy saving

5 JAHRE  
HERSTELLER  
GARANTIE

manufacturer's  
warranty  
[steinel-professional.de/garantie](http://steinel-professional.de/garantie)

## Function description

For large areas. Infrared motion detector IS 3180 for indoors and out, ideal for watching over large areas, ideal installation height 2 m, 180° angle of coverage, reach 20 m max. or 8 m max. (tangential), large terminal compartment for easy installation, heavy-duty relay for high switching capacity.

## Technical specifications

Type	Motion detectors
Dimensions (L x W x H)	95 x 95 x 65 mm
Mains power supply	220 – 240 V / 50 – 60 Hz
Sensor Technology	passive infrared
Application, place	Indoors
Application, place, room	corridor, aisle, stairwell, multi-storey car park, underground car park
Installation site	wall, corner
Type of installation	Surface wiring
Switching zones	448 switching zones
Electronic scalability	No
Mechanical scalability	No
Mounting height	1,80 – 2,50 m
Optimum mounting height	2 m
Detection angle	180 °
Angle of aperture	90 °
Sneak-by guard	Yes
Capability of masking out individual segments	Yes
Reach, radial	r = 2 m (6 m <sup>2</sup> ) / r = 5.5 m (48 m <sup>2</sup> )

Reach, tangential	r = 8 m (101 m <sup>2</sup> ) / r = 20 m (628 m <sup>2</sup> )
Twilight setting TEACH	Yes
Twilight setting	2 – 1000 lx
Time setting	5 s – 15 Min.
Switching output 1, resistive	2000 W
Switching output 1, number of LEDs / fluorescent lamps	8 pcs.
Constant-lighting control	No
Basic light level function	No
With remote control	No
Interconnection	Yes
IP rating	IP54
Material	Plastic
Ambient temperature	-20 – 50 °C
Colour	white
Colour, RAL	9003
Manufacturer's Warranty	5 years
Version	COM1 - surface, sq.
PU1, EAN	4007841009113

<https://www.steinel.de>

Motion detector

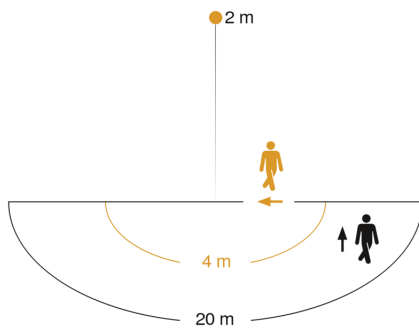
# IS 3180

COM1 - surface, sq.  
EAN 4007841 009113

## Accessories

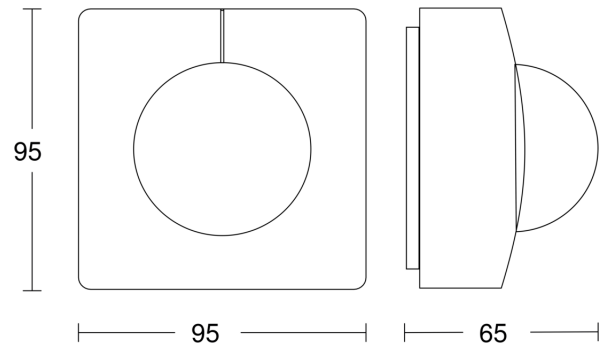
EAN 4007841 009151	Remote control Smart Remote
EAN 4007841 559410	Service remote control RC8
EAN 4007841 648015	Corner wall mount 3000
EAN 4007841 035174	Corner wall mount 3000

## Detection Zone

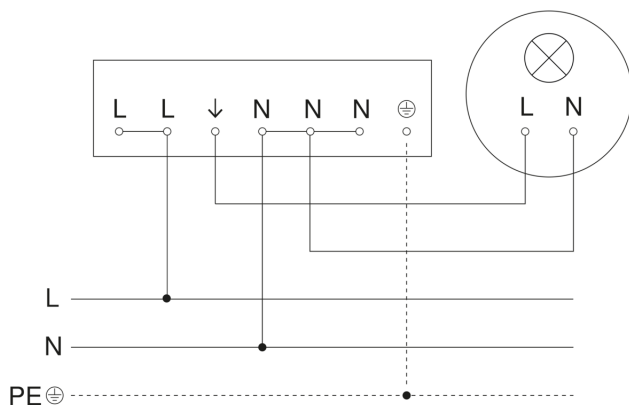


Mögliche Montagehöhe: 1,80 m – 2,50 m  
Orange: radial  
Schwarz: tangential

## Dimension Drawing



## Master circuit diagram



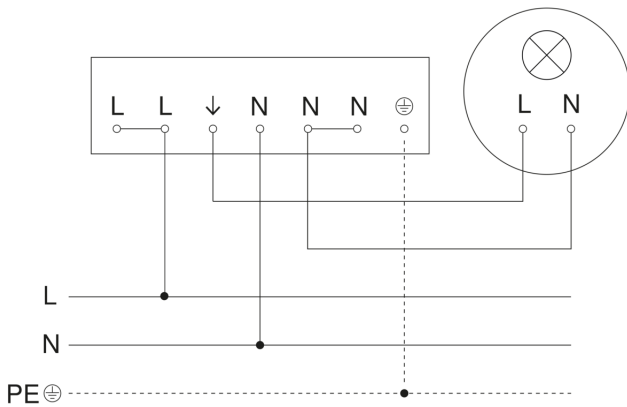
Motion detector

# IS 3180

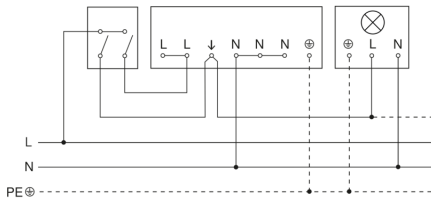
COM1 - surface, sq.  
EAN 4007841 009113



## Master/slave interconnection circuit diagram



## Connection using two-circuit switch for manual and automatic operation



## Connection using two-circuit switch for manual and automatic operation

