

Motion detector

IS 3360 MX Highbay

Dali - surface, sq.

EAN 4007841 010577

STEINEL[®]
PROFESSIONAL



2000w



max. 2000 W

IP54



ideal 4 - 12 m



ideal 4 - 14 m

TEACH

Teach mode



energy saving



CE



VDE

Function description

A head for heights. Powerful reach. Reliable. IS 3360 MX Highbay motion detector – ideal for high ceilings in industrial buildings or commercial properties. For mounting heights of up to 14 m. High-precision 360° infrared sensor. Maximum reach: 18 m. For watching over up to 1000 sq.m. Available as square surface-mounted and concealed version.

Technical specifications

Type	Motion detectors
Dimensions (L x W x H)	95 x 95 x 65 mm
Mains power supply	220 – 240 V / 50 – 60 Hz
Sensor Technology	passive infrared
Application, place	Indoors
Application, place, room	high-bay warehouse, sports hall
Installation site	ceiling
Type of installation	Surface wiring
Switching zones	1416 switching zones
Electronic scalability	No
Mounting height	4,00 – 14,00 m
Optimum mounting height	12 m
Detection angle	360 °
Angle of aperture	45 °
Sneak-by guard	Yes
Capability of masking out individual segments	Yes
Reach, radial	Ø 14 m (154 m ²)
Reach, tangential	Ø 36 m (1018 m ²)
Twilight setting TEACH	Yes

Twilight setting	2 – 1000 lx
Time setting	5 s – 15 Min.
Control output, Dali	Broadcast 1x30 electronic ballasts
Constant-lighting control	Yes
Basic light level function	Yes
Basic light level function in per cent	10 – 50 %
Basic light level function time	1-30 min, all night
Basic light level function percentage, from	10 %
Basic light level function percentage, up to	50 %
With remote control	No
Interconnection	Yes
IP rating	IP54
Material	Plastic
Ambient temperature	-20 – 50 °C
Colour	white
Colour, RAL	9003
Manufacturer's Warranty	5 years
Version	Dali - surface, sq.
PU1, EAN	4007841010577

<https://www.steinel.de>

Motion detector

IS 3360 MX Highbay

Dali - surface, sq.

EAN 4007841 010577

STEINEL[®]
PROFESSIONAL

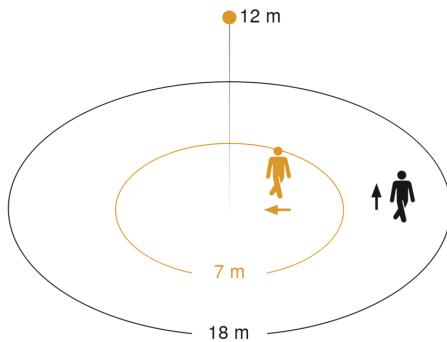
Accessories

EAN 4007841 009151 Remote control Smart Remote

EAN 4007841 559410 Service remote control RC8

EAN 4007841 592806 User remote control RC5

Detection Zone

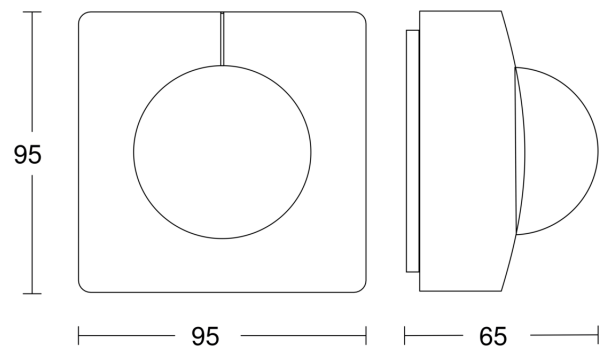


Mögliche Montagehöhe: 4,00 m – 14,00 m

Orange: radial

Schwarz: tangential

Dimension Drawing



Master circuit diagram

