

Motion detector

# IS 345 MX Highbay

Dali - surface, sq.

EAN 4007841 010591

**STEINEL**<sup>®</sup>  
PROFESSIONAL



infrared sensor  
360°



max. 30 x 4 m

2000w

max. 2000 W



IP54



2 - 1000 lux



ideal 4 - 14 m

TEACH

Teach mode



energy saving



CE



VDE

## Function description

Surveillance on the highest level. Infrared motion detector IS 345 MX Highbay for indoors, ideal for large heights in depots, high-bay warehouses, machine shops, check-in areas and departure lounges, installation height 14 m, detection zone 30 x 4 m (radial), large terminal compartment for easy installation. Available as square surface-mounted and concealed version.

## Technical specifications

Type	Motion detectors
Dimensions (L x W x H)	95 x 95 x 65 mm
Mains power supply	220 – 240 V / 50 – 60 Hz
Sensor Technology	passive infrared
Application, place	Indoors
Application, place, room	high-bay warehouse
Installation site	ceiling
Type of installation	Surface wiring
Switching zones	280 switching zones
Electronic scalability	No
Mechanical scalability	No
Mounting height	4,00 – 14,00 m
Optimum mounting height	12 m
Detection angle	360 °
Angle of aperture	9 °
Sneak-by guard	Yes
Capability of masking out individual segments	Yes
Reach, radial	30 x 4 m (120 m <sup>2</sup> )
Reach, tangential	30 x 4 m (120 m <sup>2</sup> )
Twilight setting TEACH	Yes

Twilight setting	2 – 1000 lx
Time setting	5 s – 15 Min.
Control output, Dali	Broadcast 1x30 electronic ballasts
Constant-lighting control	Yes
Basic light level function	Yes
Basic light level function in per cent	10 – 50 %
Basic light level function time	1-30 min, all night
Basic light level function percentage, from	10 %
Basic light level function percentage, up to	50 %
With remote control	No
Interconnection	Yes
IP rating	IP54
Material	Plastic
Ambient temperature	-20 – 50 °C
Colour	white
Colour, RAL	9003
Manufacturer's Warranty	5 years
Version	Dali - surface, sq.
PUI, EAN	4007841010591

<https://www.steinel.de>

Motion detector

# IS 345 MX Highbay

Dali - surface, sq.

EAN 4007841 010591

**STEINEL**<sup>®</sup>  
PROFESSIONAL

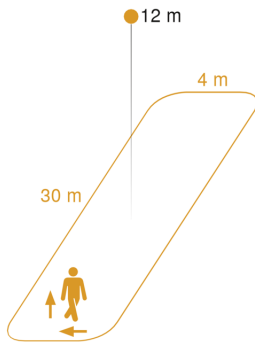
## Accessories

EAN 4007841 009151 Remote control Smart Remote

EAN 4007841 559410 Service remote control RC8

EAN 4007841 592806 User remote control RC5

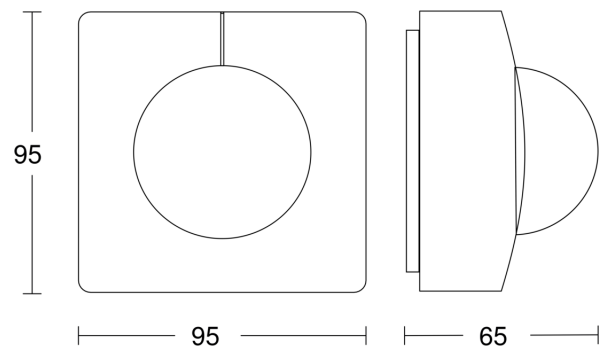
## Detection Zone



Mögliche Montagehöhe: 4,00 m – 14,00 m

Orange: radial und tangential

## Dimension Drawing



## Master circuit diagram

