

Presence detector

# IR Quattro SLIM XS

COM1 - square

EAN 4007841 032951

**STEINEL**<sup>®</sup>  
PROFESSIONAL



infrared sensor



max. 4 x 4 m presence

1000w

1000 W max.



10 - 1000 lux with RC 8



1 min - 15 min with RC 8



ideal 2,5 - 4 m

TEACH

Teach mode

**iQ**

IQ-mode

**5 JAHRE**  
HERSTELLER  
GARANTIE

manufacturer's warranty  
steinel-professional.de/garantie



CE

## Function description

Noticeably Inconspicuous. IR Quattro SLIM XS, the extra-slim presence detector in concealed-box format. Fits into any standard concealed box. Overall height of just 6 mm. High-precision 360° infrared sensor with globally unique retina lens and 16 sq.m square presence detection zone (4 x 4 m). Adjustment via remote control or Smart Remote.

## Technical specifications

Type	Presence detector
Dimensions (L x W x H)	77 x 77 x 55 mm
Mains power supply	220 – 240 V / 50 – 60 Hz
Sensor Technology	passive infrared
Application, place	Indoors
Application, place, room	classroom, One-person office, side room
Installation site	ceiling
Type of installation	Concealed wiring
Switching zones	408 switching zones
Electronic scalability	No
Mechanical scalability	No
Mounting height	2,50 – 4,00 m
Optimum mounting height	2,8 m
Detection angle	360 °
Sneak-by guard	Yes
Capability of masking out individual segments	No
Reach, detail	Retina lens and hexagonal Fresnel structure
Reach, radial	4 x 4 m (16 m <sup>2</sup> )
Reach, tangential	4 x 4 m (16 m <sup>2</sup> )

Reach, presence	4 x 4 m (16 m <sup>2</sup> )
Twilight setting TEACH	Yes
Twilight setting	10 – 1000 lx
Time setting	30 s – 30 Min.
Switching output 1, resistive	1000 W
Switching output 1, number of LEDs / fluorescent lamps	8 pcs.
Constant-lighting control	No
Basic light level function	Yes
With remote control	Yes
Interconnection	Yes
Type of interconnection	Master/slave, Master/master
IP rating	IP20
Material	Plastic
Ambient temperature	0 – 40 °C
Colour	white
Colour, RAL	9010
Manufacturer's Warranty	5 years
Version	COM1 - square
PU1, EAN	4007841032951

<https://www.steinell.de>

Presence detector

# IR Quattro SLIM XS

COM1 - square

EAN 4007841 032951

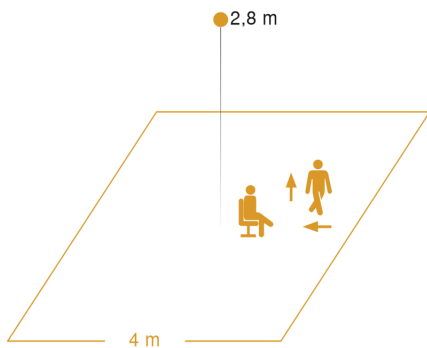
**STEINEL**<sup>®</sup>  
PROFESSIONAL

## Accessories

EAN 4007841 009151 Remote control Smart Remote

EAN 4007841 559410 Service remote control RC8

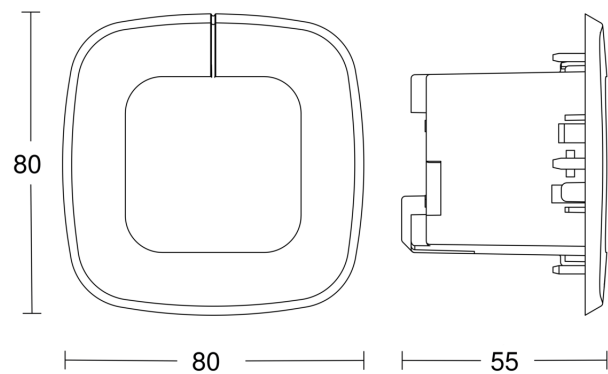
## Detection Zone



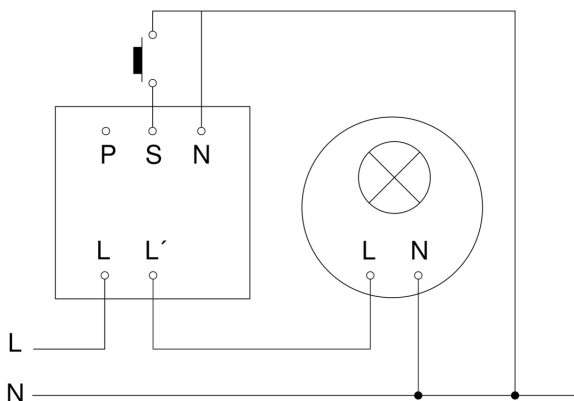
Mögliche Montagehöhe: 2,50 m – 4,00 m

Orange: Präsenz, tangential und radial

## Dimension Drawing



## Master circuit diagram



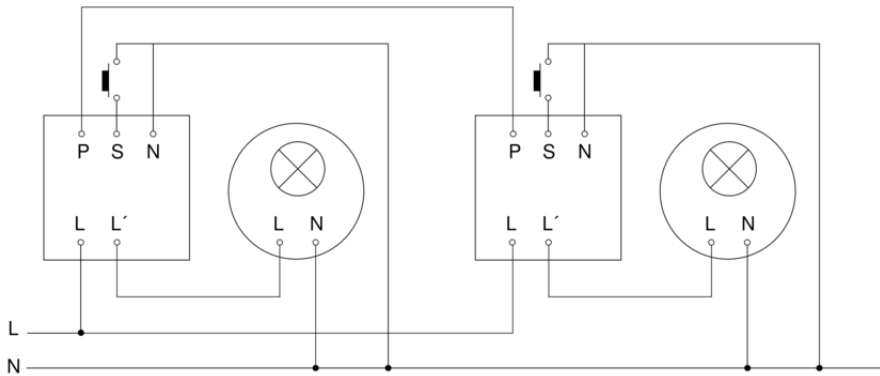
Presence detector

# IR Quattro SLIM XS

COM1 - square

EAN 4007841 032951

## Master/master interconnection circuit diagram



## Master/slave interconnection circuit diagram

