

IS 3360

COM1 - concealed, rd.
EAN 4007841 033453



infrared sensor
360°



max. 20 m

2000w

max. 2000 W



IP20



2 - 1000 lux



5 sec - 15 min



manual override



ideal 2,5 - 4 m

TEACH

Teach mode



energy saving

Function description

Higher, further, faster. Infrared motion detector IS 3360 for indoors and out, ideal for watching over high spaces and large areas, such as multi-storey and underground car parks, installation height up to 4 m, 360° angle of coverage, reach 20 m max. (tangential), heavy-duty relay for high switching capacity. Available either in round or square surface-mounted and concealed version.

Technical specifications

Type	Motion and Presence Detector
Dimensions (Ø x H)	124 x 78 mm
Mains power supply	220 – 240 V / 50 – 60 Hz
Sensor Technology	passive infrared
Application, place	outdoors, Indoors
Application, place, room	sports hall, side room, stairwell, wc, washroom, multi-storey car park, underground car park, warehouse, equipment room
Installation site	ceiling
Type of installation	Concealed wiring
Switching zones	1416 switching zones
Electronic scalability	No
Mechanical scalability	No
Mounting height	2,50 – 4,00 m
Optimum mounting height	2,8 m
Detection angle	360 °
Angle of aperture	180 °
Sneak-by guard	Yes
Capability of masking out individual segments	Yes
Reach, radial	Ø 8 m (50 m ²)
Reach, tangential	Ø 40 m (1257 m ²)

Reach, presence	Ø 3 m (7 m ²)
Twilight setting TEACH	Yes
Twilight setting	2 – 1000 lx
Time setting	5 s – 15 Min.
Switching output 1, resistive	2000 W
Switching output 1, number of LEDs / fluorescent lamps	8 pcs.
Constant-lighting control	No
Basic light level function	No
With remote control	No
Interconnection	Yes
IP rating	IP20
Material	Plastic
Ambient temperature	-20 – 50 °C
Colour	white
Colour, RAL	9003
Manufacturer's Warranty	5 years
Version	COM1 - concealed, rd.
PU1, EAN	4007841033453

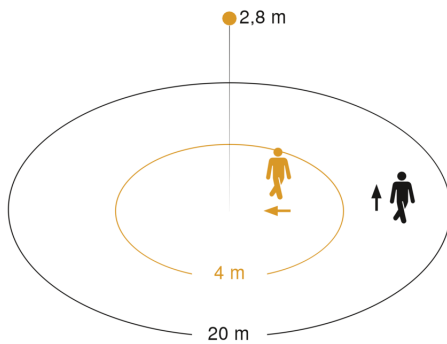
IS 3360

COM1 - concealed, rd.
EAN 4007841 033453

Accessories

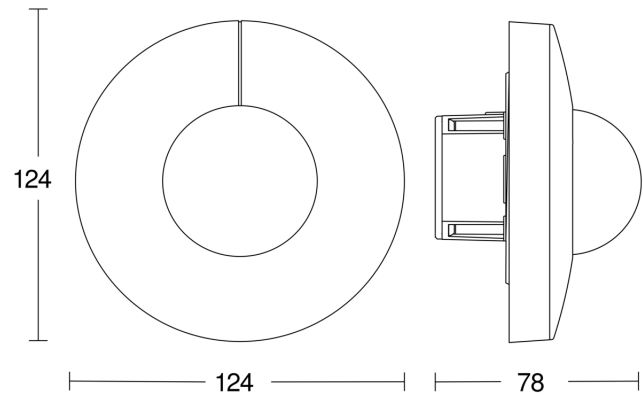
EAN 4007841 009151	Remote control Smart Remote
EAN 4007841 559410	Service remote control RC8

Detection Zone

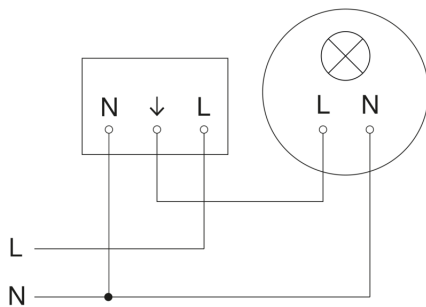


Mögliche Montagehöhe: 2,50 m – 4,00 m
Orange: radial
Schwarz: tangential

Dimension Drawing



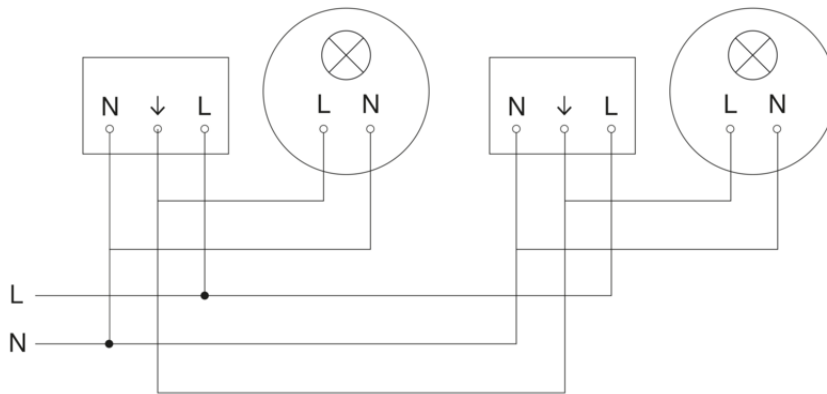
Master circuit diagram



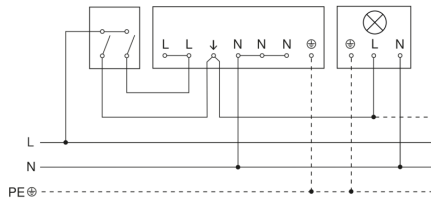
IS 3360

COM1 - concealed, rd.
EAN 4007841 033453

Master/slave interconnection circuit diagram



Connection using two-circuit switch for manual and automatic operation



Connection via a two-way switch for manual override and automatic operation

