

Motion detector

IS 3360

Dali - surface, rd.

EAN 4007841 033507

STEINEL[®]
PROFESSIONAL



infrared sensor
360°



max. 20 m

2000w

max. 2000 W



IP54



2 - 1000 lux



5 sec - 15 min



manual override



ideal 2,5 - 4 m

TEACH

Teach mode



energy saving

Function description

Higher, further, faster. Infrared motion detector IS 3360 for indoors and out, ideal for watching over high spaces and large areas, such as multi-storey and underground car parks, installation height up to 4 m, 360° angle of coverage, reach 20 m max. (tangential), large terminal compartment for easy installation. Available either in round or square surface-mounted and concealed version.

Motion detector

IS 3360

Dali - surface, rd.

EAN 4007841 033507

STEINEL[®]
PROFESSIONAL

Technical specifications

Type	Motion detectors
Dimensions (Ø x H)	126 x 65 mm
Mains power supply	220 – 240 V / 50 – 60 Hz
Sensor Technology	passive infrared
Application, place	outdoors, Indoors
Application, place, room	sports hall, side room, stairwell, wc, washroom, multi-storey car park, underground car park, warehouse, equipment room
Installation site	ceiling
Type of installation	Surface wiring
Switching zones	1416 switching zones
Electronic scalability	No
Mechanical scalability	No
Mounting height	2,50 – 4,00 m
Optimum mounting height	2,8 m
Detection angle	360 °
Angle of aperture	180 °
Sneak-by guard	Yes
Capability of masking out individual segments	Yes
Reach, radial	Ø 8 m (50 m ²)
Reach, tangential	Ø 40 m (1257 m ²)
Reach, presence	Ø 3 m (7 m ²)

Twilight setting TEACH	Yes
Twilight setting	2 – 1000 lx
Time setting	5 s – 15 Min.
Control output, Dali	Broadcast 1x30 electronic ballasts
Constant-lighting control	Yes
Basic light level function	Yes
Basic light level function in per cent	10 – 50 %
Basic light level function time	1-30 min, all night
Basic light level function percentage, from	10 %
Basic light level function percentage, up to	50 %
With remote control	No
Interconnection	Yes
IP rating	IP54
Material	Plastic
Ambient temperature	-20 – 50 °C
Colour	white
Colour, RAL	9003
Manufacturer's Warranty	5 years
Version	Dali - surface, rd.
PU1, EAN	4007841033507

Accessories

EAN 4007841 009151	Remote control Smart Remote
EAN 4007841 559410	Service remote control RC8
EAN 4007841 592806	User remote control RC5

Motion detector

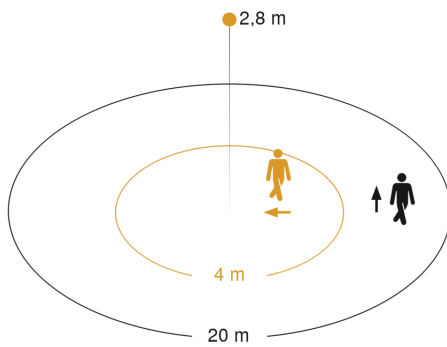
IS 3360

Dali - surface, rd.

EAN 4007841 033507



Detection Zone

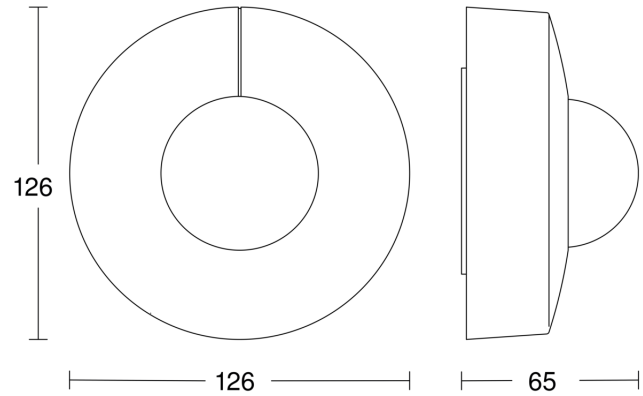


Mögliche Montagehöhe: 2,50 m – 4,00 m

Orange: radial

Schwarz: tangential

Dimension Drawing



Master circuit diagram

