

Motion detector

# IS 3360

Dali - concealed, rd.  
EAN 4007841 033521

**STEINEL**<sup>®</sup>  
PROFESSIONAL



infrared sensor  
360°



max. 20 m

2000w

max. 2000 W



IP20



2 - 1000 lux



5 sec - 15 min



manual override



ideal 2,5 - 4 m

TEACH

Teach mode



energy saving

## Function description

Higher, further, faster. Infrared motion detector IS 3360 for indoors and out, ideal for watching over high spaces and large areas, such as multi-storey and underground car parks, installation height up to 4 m, 360° angle of coverage, reach 20 m max. (tangential). Available either in round or square surface-mounted and concealed version.

Motion detector

# IS 3360

Dali - concealed, rd.  
EAN 4007841 033521

**STEINEL**<sup>®</sup>  
PROFESSIONAL

## Technical specifications

Type	Motion detectors	Twilight setting TEACH	Yes
Dimensions (Ø x H)	124 x 78 mm	Twilight setting	2 – 1000 lx
Mains power supply	220 – 240 V / 50 – 60 Hz	Time setting	5 s – 15 Min.
Sensor Technology	passive infrared	Control output, Dali	Broadcast 1x30 electronic ballasts
Application, place	outdoors, Indoors	Constant-lighting control	Yes
Application, place, room	sports hall, side room, stairwell, wc, washroom, multi-storey car park, underground car park, warehouse, equipment room	Basic light level function	Yes
Installation site	ceiling	Basic light level function in per cent	10 – 50 %
Type of installation	Concealed wiring	Basic light level function time	1-30 min, all night
Switching zones	1416 switching zones	Basic light level function percentage, from	10 %
Electronic scalability	No	Basic light level function percentage, up to	50 %
Mechanical scalability	No	With remote control	No
Mounting height	2,50 – 4,00 m	Interconnection	Yes
Optimum mounting height	2,8 m	IP rating	IP20
Detection angle	360 °	Material	Plastic
Angle of aperture	180 °	Ambient temperature	-20 – 50 °C
Sneak-by guard	Yes	Colour	white
Capability of masking out individual segments	Yes	Colour, RAL	9003
Reach, radial	Ø 8 m (50 m <sup>2</sup> )	Manufacturer's Warranty	5 years
Reach, tangential	Ø 40 m (1257 m <sup>2</sup> )	Version	Dali - concealed, rd.
Reach, presence	Ø 3 m (7 m <sup>2</sup> )	PU1, EAN	4007841033521

## Accessories

EAN 4007841 009151	Remote control Smart Remote
EAN 4007841 559410	Service remote control RC8
EAN 4007841 592806	User remote control RC5

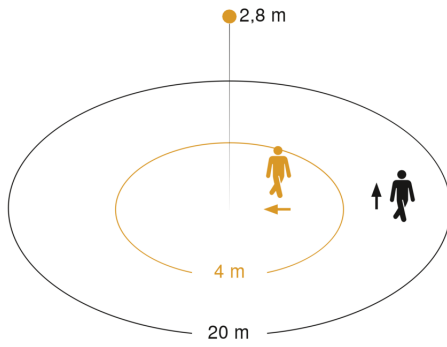
Motion detector

# IS 3360

Dali - concealed, rd.  
EAN 4007841 033521

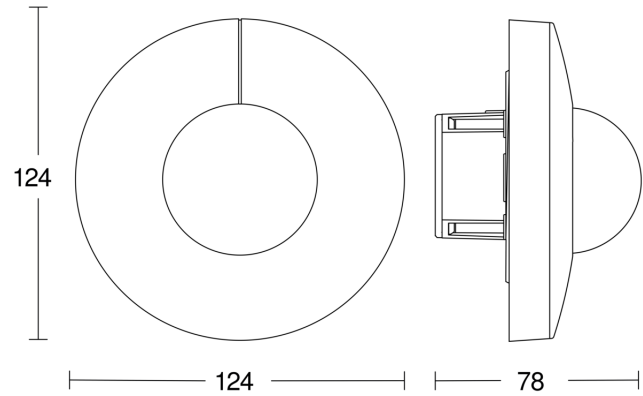


## Detection Zone

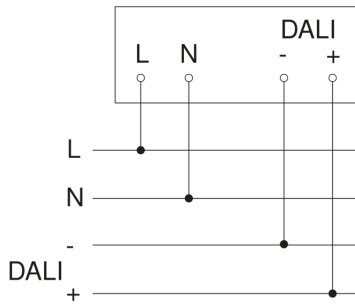


Mögliche Montagehöhe: 2,50 m – 4,00 m  
Orange: radial  
Schwarz: tangential

## Dimension Drawing



## Master circuit diagram



## Master/slave interconnection circuit diagram

