

Motion detector

# IS 3360 MX Highbay

COM1 - surface, sq.

EAN 4007841 033569

**STEINEL**<sup>®</sup>  
PROFESSIONAL



2000w



max. 2000 W

IP54



ideal 4 - 12 m



ideal 4 - 14 m

TEACH

Teach mode



energy saving



CE



VDE

## Function description

A head for heights. Powerful reach. Reliable. IS 3360 MX Highbay motion detector – ideal for high ceilings in industrial buildings or commercial properties. For mounting heights of up to 14 m. High-precision 360° infrared sensor. Maximum reach: 18 m. For watching over up to 1000 sq.m. Available as square surface-mounted and concealed version.

## Technical specifications

Type	Motion detectors
Dimensions (L x W x H)	95 x 95 x 65 mm
Mains power supply	220 – 240 V / 50 – 60 Hz
Sensor Technology	passive infrared
Application, place	Indoors
Application, place, room	high-bay warehouse, sports hall
Installation site	ceiling
Type of installation	Surface wiring
Switching zones	1416 switching zones
Electronic scalability	No
Mechanical scalability	No
Mounting height	4,00 – 14,00 m
Optimum mounting height	12 m
Detection angle	360 °
Angle of aperture	180 °
Sneak-by guard	Yes
Capability of masking out individual segments	Yes
Reach, radial	Ø 14 m (154 m <sup>2</sup> )

Reach, tangential	Ø 36 m (1018 m <sup>2</sup> )
Twilight setting TEACH	Yes
Twilight setting	2 – 1000 lx
Time setting	5 s – 15 Min.
Switching output 1, resistive	2000 W
Switching output 1, number of LEDs / fluorescent lamps	8 pcs.
Constant-lighting control	No
Basic light level function	No
With remote control	No
Interconnection	Yes
IP rating	IP54
Material	Plastic
Ambient temperature	-20 – 50 °C
Colour	white
Colour, RAL	9003
Manufacturer's Warranty	5 years
Version	COM1 - surface, sq.
PU1, EAN	4007841033569

Motion detector

# IS 3360 MX Highbay

COM1 - surface, sq.

EAN 4007841 033569

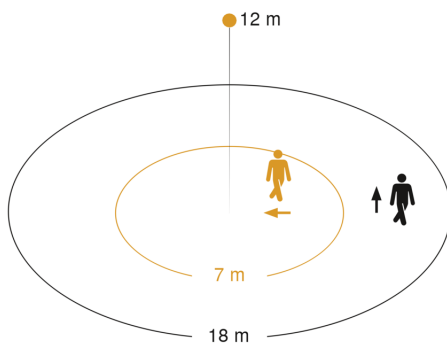
**STEINEL**<sup>®</sup>  
PROFESSIONAL

## Accessories

EAN 4007841 009151 Remote control Smart Remote

EAN 4007841 559410 Service remote control RC8

## Detection Zone

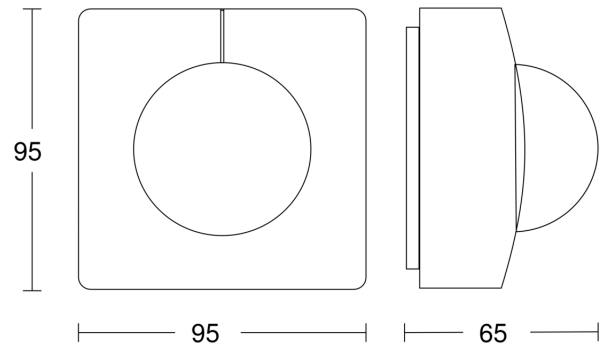


Mögliche Montagehöhe: 4,00 m – 14,00 m

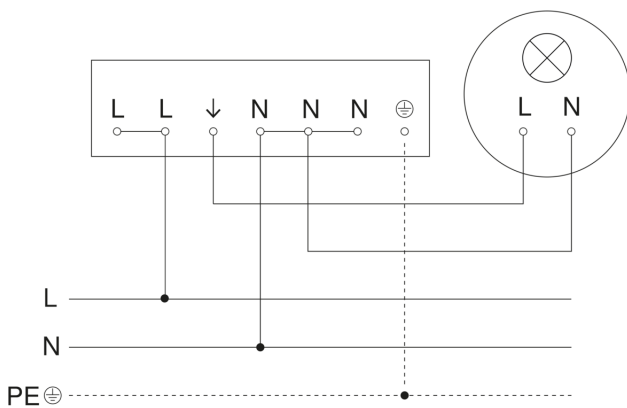
Orange: radial

Schwarz: tangential

## Dimension Drawing



## Master circuit diagram



Motion detector

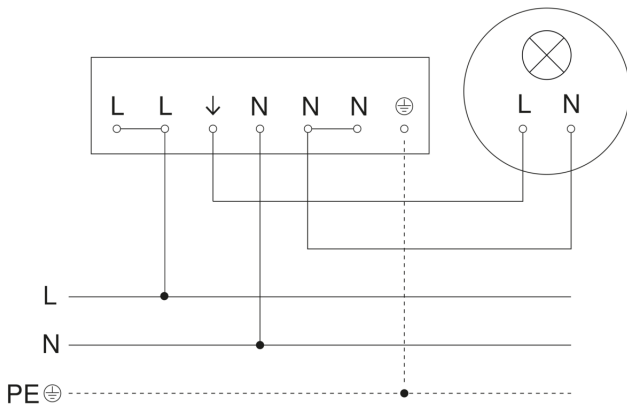
# IS 3360 MX Highbay

COM1 - surface, sq.

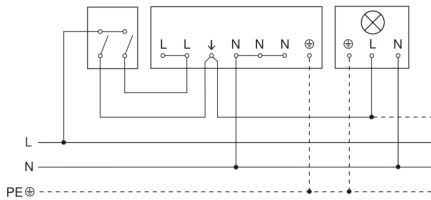
EAN 4007841 033569



## Master/slave interconnection circuit diagram



## Connection using two-circuit switch for manual and automatic operation



## Connection via a two-way switch for manual override and automatic operation

