

Motion detector

IS 345

COM1 - surface, rd.
EAN 4007841 033798

STEINEL[®]
PROFESSIONAL



infrared sensor
360°



max. 20 x 4 m

2000w

max. 2000 W



IP54



2 - 1000 lux



5 sec - 15 min



ideal 2,5 - 5 m

TEACH

Teach mode



energy saving

5 JAHRE
HERSTELLER
GARANTIE

manufacturer's
warranty
steinel-professional.de/garantie

Function description

Huge reach. Infrared motion detector IS 345 for indoors and out, ideal for passageways, corridors and commonly used spaces, installation height 5 m, detection zone 12 x 6 m (radial) and 23 x 6 m (tangential), large terminal compartment for easy installation, heavy-duty relay for high switching capacity. Available either in round or square surface-mounted and concealed version.

Technical specifications

Type	Motion detectors
Dimensions (Ø x H)	126 x 65 mm
Mains power supply	220 – 240 V / 50 – 60 Hz
Sensor Technology	passive infrared
Application, place	outdoors, Indoors
Application, place, room	corridor, aisle, underground car park, multi-storey car park
Installation site	ceiling
Type of installation	Surface wiring
Switching zones	280 switching zones
Electronic scalability	No
Mechanical scalability	No
Mounting height	2,50 – 5,00 m
Optimum mounting height	2,8 m
Detection angle	360 °
Angle of aperture	45 °
Sneak-by guard	Yes
Capability of masking out individual segments	Yes
Reach, radial	12 x 6 m (72 m ²)

Reach, tangential	23 x 6 m (138 m ²)
Twilight setting TEACH	Yes
Twilight setting	2 – 1000 lx
Time setting	5 s – 15 Min.
Switching output 1, resistive	2000 W
Switching output 1, number of LEDs / fluorescent lamps	8 pcs.
Constant-lighting control	No
Basic light level function	No
With remote control	No
Interconnection	Yes
IP rating	IP54
Material	Plastic
Ambient temperature	-20 – 50 °C
Colour	white
Colour, RAL	9003
Manufacturer's Warranty	5 years
Version	COM1 - surface, rd.
PU1, EAN	4007841033798

<https://www.steinel.de>

Motion detector

IS 345

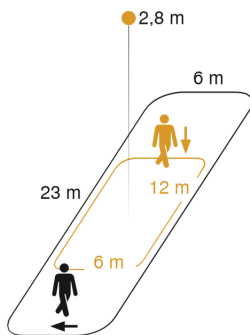
COM1 - surface, rd.
EAN 4007841 033798

STEINEL[®]
PROFESSIONAL

Accessories

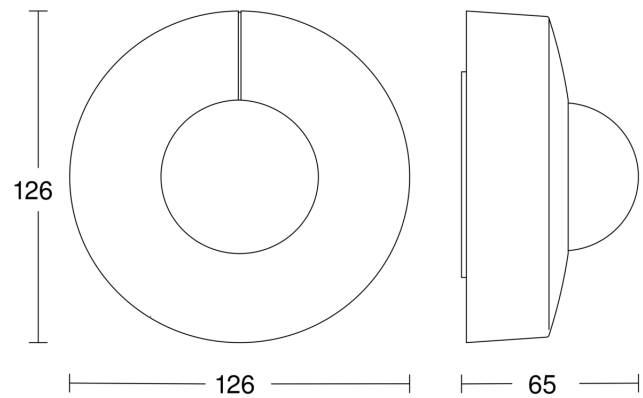
EAN 4007841 009151	Remote control Smart Remote
EAN 4007841 559410	Service remote control RC8

Detection Zone

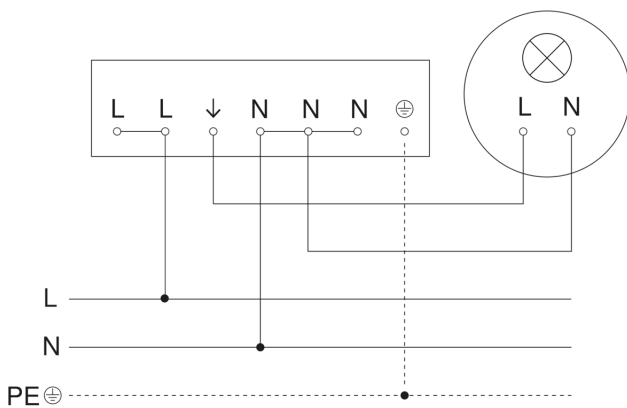


Mögliche Montagehöhe: 2,50 m – 5,00 m
Orange: radial
Schwarz: tangential

Dimension Drawing



Master circuit diagram



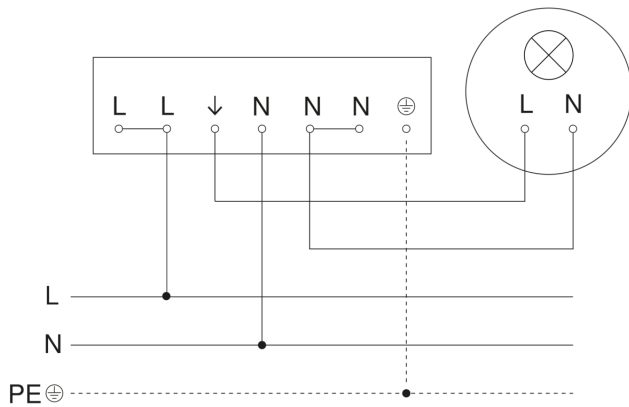
Motion detector

IS 345

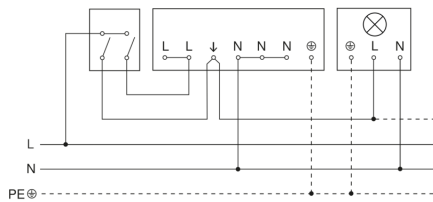
COM1 - surface, rd.
EAN 4007841 033798



Master/slave interconnection circuit diagram



Connection using two-circuit switch for manual and automatic operation



Connection via a two-way switch for manual override and automatic operation

