

Motion detector

IS 345

Dali - concealed, sq.
EAN 4007841 033866

STEINEL[®]
PROFESSIONAL



infrared sensor
360°



max. 20 x 4 m

2000w

max. 2000 W



IP20



2 - 1000 lux



5 sec - 15 min



ideal 2,5 - 5 m

TEACH

Teach mode



energy saving

5 JAHRE
HERSTELLER
GARANTIE

manufacturer's
warranty
steinel-professional.de/garantie

Function description

Huge reach. Infrared motion detector IS 345 for indoors and out, ideal for passageways, corridors and commonly used spaces, installation height 5 m, detection zone 12 x 6 m (radial) and 23 x 6 m (tangential). Available either in round or square surface-mounted and concealed version.

Technical specifications

Type	Motion detectors	Twilight setting	2 – 1000 lx
Dimensions (L x W x H)	94 x 94 x 78 mm	Time setting	5 s – 15 Min.
Mains power supply	220 – 240 V / 50 – 60 Hz	Control output, Dali	Broadcast 1x30 electronic ballasts
Sensor Technology	passive infrared	Constant-lighting control	Yes
Application, place	outdoors, Indoors	Basic light level function	Yes
Application, place, room	corridor, aisle, underground car park, multi-storey car park	Basic light level function in per cent	10 – 50 %
Installation site	ceiling	Basic light level function time	1-30 min, all night
Type of installation	Concealed wiring	Basic light level function percentage, from	10 %
Switching zones	280 switching zones	Basic light level function percentage, up to	50 %
Electronic scalability	No	With remote control	No
Mechanical scalability	No	Interconnection	Yes
Mounting height	2,50 – 5,00 m	IP rating	IP20
Optimum mounting height	2,8 m	Material	Plastic
Detection angle	360 °	Ambient temperature	-20 – 50 °C
Angle of aperture	45 °	Colour	white
Sneak-by guard	Yes	Colour, RAL	9003
Capability of masking out individual segments	Yes	Manufacturer's Warranty	5 years
Reach, radial	12 x 6 m (72 m ²)	Version	Dali - concealed, sq.
Reach, tangential	23 x 6 m (138 m ²)	PU1, EAN	4007841033866
Twilight setting TEACH	Yes		

<https://www.steinel.de>

Motion detector

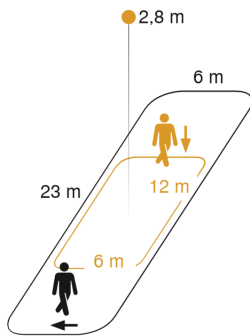
IS 345

Dali - concealed, sq.
EAN 4007841 033866

Accessories

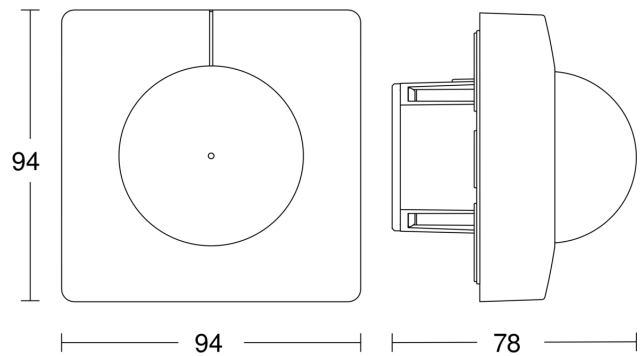
EAN 4007841 592806	User remote control RC5
EAN 4007841 559410	Service remote control RC8
EAN 4007841 009151	Remote control Smart Remote

Detection Zone

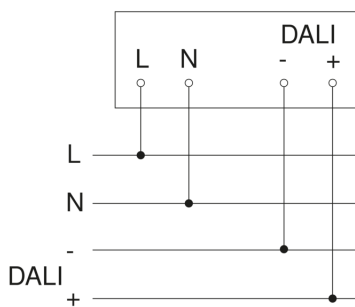


Mögliche Montagehöhe: 2,50 m – 5,00 m
Orange: radial
Schwarz: tangential

Dimension Drawing



Master circuit diagram



Master/slave interconnection circuit diagram

