

Motion detector

IS 2180-2

black

EAN 4007841 603717

STEINEL[®]
PROFESSIONAL



infrared sensor
180°



max. 12 m

1000w

1000 W max.



IP54



2 - 2000 lux



5 sec - 15 min



Ideal 2 m



energy saving

5 JAHRE
HERSTELLER
GARANTIE

manufacturer's
warranty
steinel-professional.de/garantie



CE

Function description

Attractive, clever, efficient. Infrared motion detector IS 2180-2 for outdoors, ideal for building fronts and properties, medium-sized business and outdoor spaces, ideal installation height 2 m, 180° angle of coverage, reach. 12 m max. or 5 m max. (tangential), selectable time and twilight threshold, manual override, including corner wall mount for external and internal corner.

Technical specifications

Type	Motion detectors
Dimensions (L x W x H)	120 x 78 x 55 mm
Mains power supply	230 – 240 V / 50 Hz
Sensor Technology	passive infrared
Application, place	Indoors
Installation site	wall, corner
Type of installation	Surface wiring
Switching zones	504 switching zones
Electronic scalability	No
Mechanical scalability	No
Mounting height	1,80 – 4,00 m
Optimum mounting height	2 m
Detection angle	180 °
Angle of aperture	90 °
Sneak-by guard	Yes
Capability of masking out individual segments	Yes
Reach, tangential	r = 5 m (39 m ²) / r = 12 m (226 m ²)

Twilight setting TEACH	No
Twilight setting	2 – 2000 lx
Time setting	5 s – 15 Min.
Switching output 1, resistive	1000 W
Switching output 1, number of LEDs / fluorescent lamps	6 pcs.
Constant-lighting control	No
Basic light level function	No
With remote control	No
Interconnection	Yes
IP rating	IP54
Material	Plastic
Ambient temperature	-20 – 50 °C
Colour	black
Colour, RAL	9005
Manufacturer's Warranty	5 years
Version	black
PU1, EAN	4007841603717

Motion detector

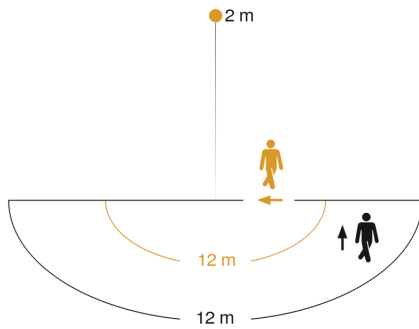
IS 2180-2

black

EAN 4007841 603717



Detection Zone

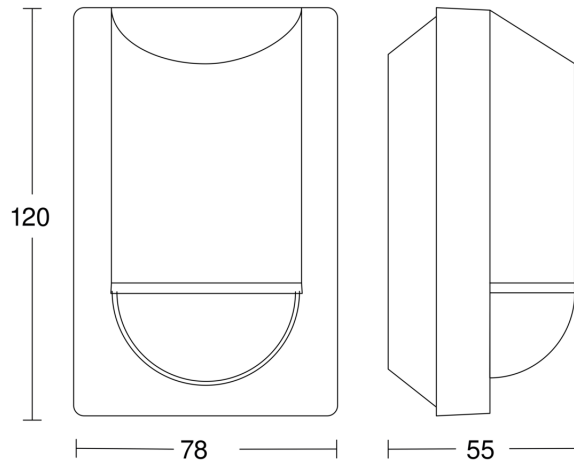


Mögliche Montagehöhe: 1,80 m – 4,00 m

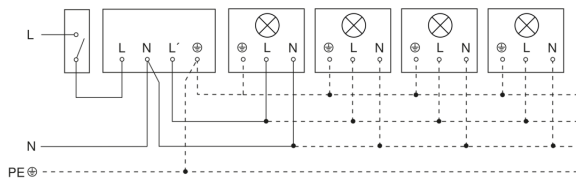
Orange: radial

Schwarz: tangential

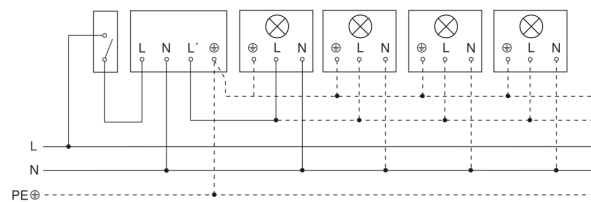
Dimension Drawing



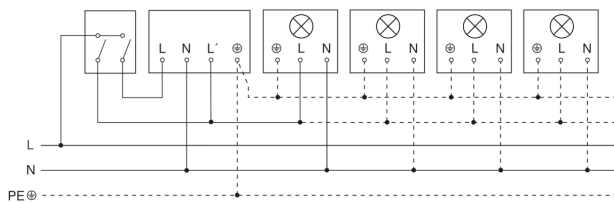
Light without neutral conductor



Light with neutral conductor



Connection using two-circuit switch for manual and automatic operation



Connection via a two-way switch for manual override and automatic operation

