

SRW03 | SRW03 BAT

Wireless window contact

thermokon[®]
HOME OF SENSOR TECHNOLOGY

Datasheet

Subject to technical alteration
Issue date: 09.03.2022 • A121



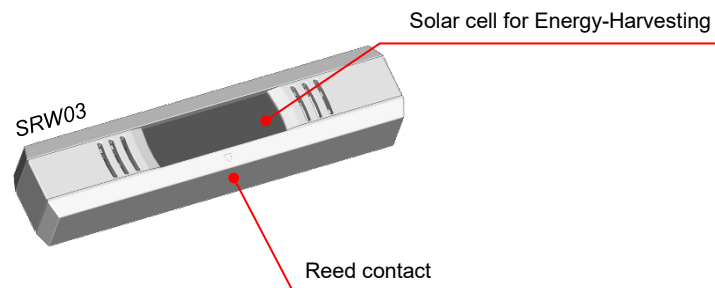
» APPLICATION

Battery-free wireless window contact for condition monitoring of windows and doors. Reduces energy consumption through demand-based heating or cooling.

» TYPES AVAILABLE

EasySens Door/Window Contact	Reed contact	power	Illuminance
• SRW03	1 reed contact	Solar panel + Energy storage	at least 200lx (recommended)
• SRW03 BAT	1 reed contact	Solar panel + Energy storage, (additional button cell applicable)	at least 200lx (recommended), with button cell under 200lx useable,

All variants available in white, anthracite (varnished).



» SECURITY ADVICE – CAUTION



The installation and assembly of the device should only be performed by authorized personnel.

The product should only be used for the intended application. Unauthorised modifications are prohibited! The product must not be used in relation with any equipment that in case of a failure may threaten, directly or indirectly, human health or life or result in danger to human beings, animals or assets. Ensure all power is disconnected before installing. Do not connect to live/operating equipment.

Please comply with

- Local laws, health & safety regulations, technical standards and regulations
- Condition of the device at the time of installation, to ensure safe installation
- This data sheet and installation manual

» NOTES ON DISPOSAL



As a component of a large-scale fixed installation, Thermokon products are intended to be used permanently as part of a building or a structure at a pre-defined and dedicated location, hence the Waste Electrical and Electronic Act (WEEE) is not applicable. However, most of the products may contain valuable materials that should be recycled and not disposed of as domestic waste. Please note the relevant regulations for local disposal.

» GUIDELINES FOR DEVICES WITH SOLAR ENERGY STORAGE

Due to the energy-optimized EnOcean radio technology used in "EasySens[®]" wireless sensors, the devices can work without batteries and self-charge themselves using electric energy generated by integrated solar cells. This makes the devices almost maintenance free and environmentally sound due to not having to replace batteries.

For optimum use, the device should be mounted in a location with sufficient ambient brightness. Minimum illumination of 200 lx (artificial light or ambient) is required for at least 3 to 4 hours each day. (The health and safety regulations at work require a minimum illumination of 500 lx for office workplaces).

The solar cell should be mounted facing towards the window direction if possible. If the device has a temperature sensor, then even periodic direct sun radiation should be avoided due to incorrect false temperature readings.

The mounting position should be selected so that the device will not be obstructed in the future: for example by placement areas, additional furniture or roll-fronted cupboards.

The sensor is supplied in an operational state. If the sensor has been stored in darkness for longer periods, the internal solar energy storage will most likely need to be recharged. This would normally happen automatically during commissioning or during initial start up in ambient light. If the initial charge is not sufficient, the sensor will reach its full operating state up to 3 to 4 days, if the requirements for minimum illumination per day are met. The sensor will then transmit continuously in darkness as specified f (2/3 days on factory default telegram timing). Depending on the application it is also possible for the devices to operate in darker rooms (with brightness <100 lx) by using the battery back-up option. Batteries to be used are listed in accessories.

The operating time when using batteries will depend on the transmission frequency as well as the component aging and the self-discharge of the battery. Standard operating time will be several years on factory default telegram timing. Changing of the device from solar to battery operation is done automatically by simply adding a battery to the device.

» INFORMATION ABOUT EASYSSENS[®] (RADIO) / AIRCONFIG GENERAL USAGE



EasySens[®] - airConfig

Basic information about EasySens[®] radio and about general usage of our airConfig software, please download from our website.

» OVERVIEW OF THE RADIO TELEGRAMS



EEP

The structure of the data contained in the telegram can be found in the EEP (EnOcean equipment profile) list provided by the EnOcean Alliance.

» PRODUCT TESTING AND CERTIFICATION



Declaration of conformity

The declaration of conformity of the products can be found on our website <https://www.thermokon.de/>

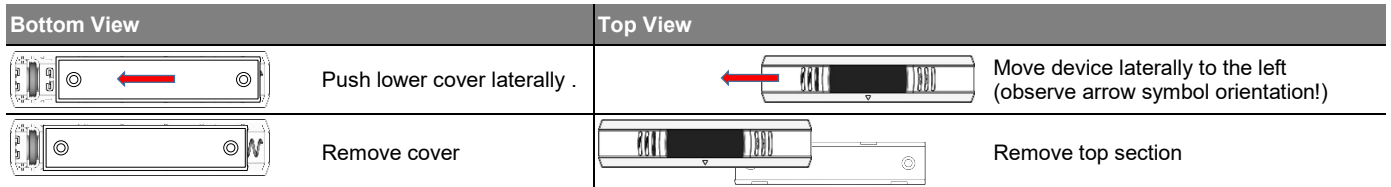
» **TECHNICAL DATA**

Radio technology	EnOcean (IEC 14543-3-10), transmission power <10 mW, EEP D5-00-01	
Frequency	868 MHz, optional: 902 MHz	
Antenna	internal transmitting/receiving antenna	
Power supply	SRW03 solar cell, internal super cap, maintenance-free	SRW03 BAT solar cell, internal super cap, maintenance-free, button cell (CR1225) – (included in delivery)
Sensor	reed contact + magnet	
Sending interval	at status change, otherwise every 1000 sec.	
Enclosure	PC V0, pure white or anthracite	
Protection	IP20 according to DIN EN 60529	
Ambient condition	-20..+60 °C, max. 85% rH non-condensing	
Mounting	to be mounted flat onto the surface using adhesive foil (already mounted on device) or screws	

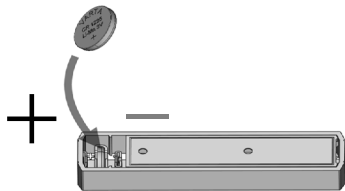
» **COMMISSIONING**

Before mounting, the device check the radio reception area. The radio signal needs to be sufficient for the receiver. The device can be mounted via the adhesive tape already mounted, or optionally with screws

» **Device Opening**



» **Battery installation SRW03 BAT**

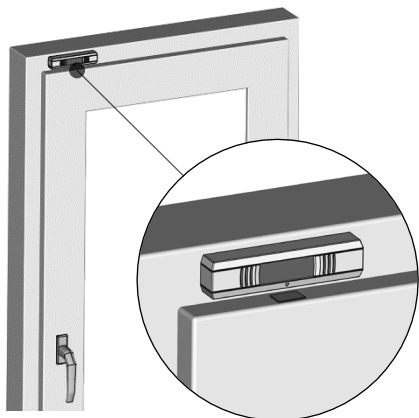


Insert the button cell in the mounting bracket.
Pay attention to button cell polarity!

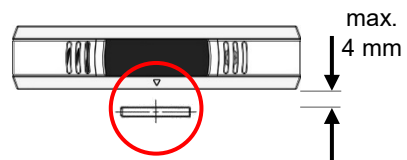
» **ASSEMBLY AND COMMISSIONING**

Mount the lower part of housing with adhesive tape (on device) or optional with screws onto the frame. The window contact can be mounted horizontal, vertical or inclined.

Mounting example SRW03



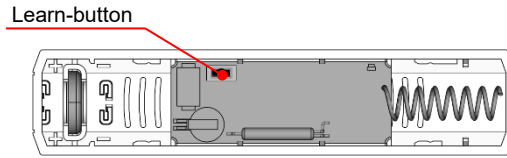
Mount the magnet flat as shown next to the arrow marking.



Observe the markings on the window contact!

» **TEACH-IN**

By default, a 1BS teach-in telegram is transmitted by pressing the Learn button (opened device). Press the key on the back to trigger a teach-in telegram. The teach-in telegram identifies the device manufacturer, the function and the type of the device.



» **OPERATION MODES SRW03**

Type	Info
SRW03 / SRW03 BATs	Mode 3 „Transport“ upon delivery, commissioning when switching

» **Change mode 3 „transport“ to mode 1 „standard“**

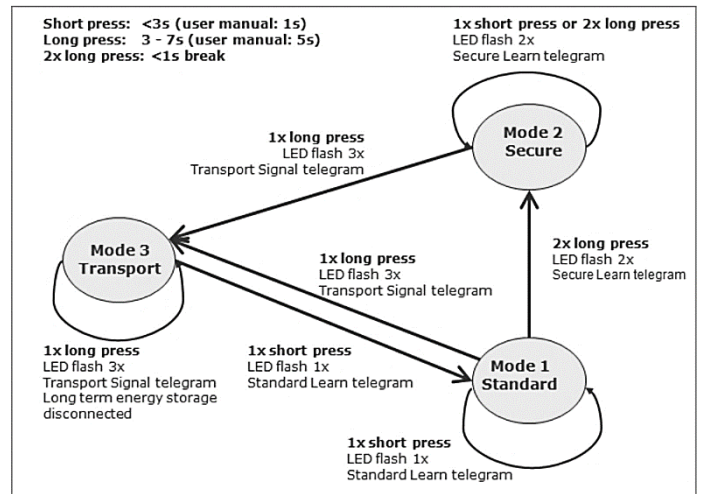
Press learn button (for 1s)
radio module switches to mode 1 (standard).
(LED flashes once and a (standard) learn-telegram is transmitted)

» **Change mode 1 „standard“ to Mode 2 „secure“**

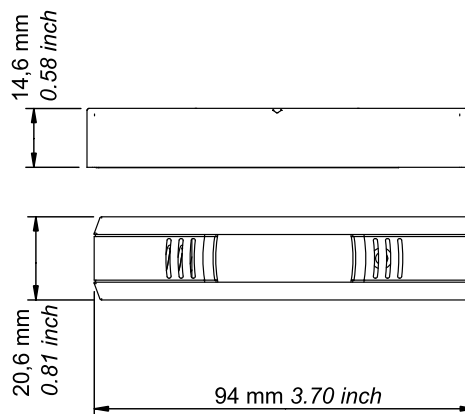
Long Press learn button twice (press 5s, pause <1s, press 5s)
radio module switches to mode 2 (Secure).
(LED flashes twice and a „secure“ learn-telegram is transmitted)

» **Change mode 1 / mode 2 to mode 3 „transport“**

Press learn button (5s)
radio module switches in mode 3 (transport).
(LED flashes 3 times and a transport-signal-telegram is transmitted)



» **DIMENSIONS (MM)**



» **ACCESSORIES SRW03 BAT (INCLUDED IN SCOPE OF DELIVERY)**

Coin cell CR1225

Item No. 727310