



Cod.1099/521

IP 5M, Starlight motorized IR bullet camera

TECHNICAL FEATURES

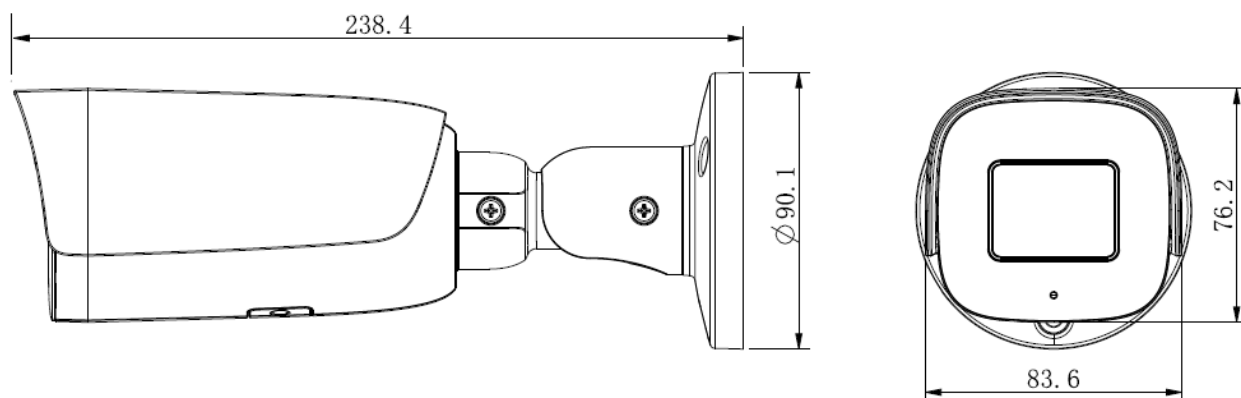
- Full Metal Housing
- Motorized Lens 2.8-12mm
- Up to 2592x1944@20fps
- S+265/H.265/H.264
- Min. illumination Color: 0.002Lux@F1.6
- 120dB WDR
- Smart IR, IR Range: 80m
- Support tripwire and perimeter
- Built-in Mic, SD Card Slot, Reset Button
- Operating Conditions -35°C~65°C, 0~95%RH
- POE, IP67

Camera	
Image Sensor	1/2.8" CMOS
Signal System	PAL/NTSC
Min. Illumination	Color: 0.002Lux@ (F1.6, ACG ON), B/W: 0Lux with IR
Shutter Time	1s to 1/100,000s
Day & Night	Dual IR Cut Filter with Auto Switch
Wide Dynamic Range	120dB
Angle Adjustment	Bracket, pan 0~360°, tilt 0~75°, rotate 0~360°
Lens	
Lens Type	Motorized
Focus	2.8-12mm
Lens Mount	14
Aperture	F1.6~F3.3, Fixed
FOV	Horizontal field of view: 100.4°~26.8°
Illuminator	
IR LEDs	4
IR Range	Up to 80m
Wavelength	850nm
White/Warmlight LEDs	N/A
Compression Standard	
Video Compression	S+265/H.265/H.264
Video Bit Rate	32Kbps~6Mbps
Audio Compression	G.711A/G.711U/ADPCM
Audio Bit Rate	8K~48Kbps
Image	
Max. Resolution	2592×1944
Main Stream	PAL: 20fps (2592×1944), 25fps (2592x1520, 2560x1440, 2304x1296, 1920×1080, 1280×720) NTSC: 20fps (2592×1944), 25fps (2592x1520, 2560x1440) 30fps (2304x1296, 1920×1080, 1280×720)
Sub Stream	PAL: 25fps (704×576, 704×288, 640×480, 352×288) NTSC: 30fps (704×480, 704×240, 640×480, 352×240)
Third Stream	N/A
Image Setting	Saturation, brightness, contrast, sharpness, adjustable by client software or web browser
Image Enhancement	BLC/3D DNR/HLC
ROI	N/A
OSD	16x 16, 32x 32, 48x 48, 64x64 adaptable size, Letters Such as Week, Date, Time, Total 3 Regions
Picture Overlay	N/A
Privacy Mask	Yes, 4 regions
Smart Defog	Yes
Feature	
Alarm Trigger	Motion Detection, Mask Alarm, IP AddressConflict
Video Analytics	Tripwire, Perimeter
Early Warning(EW)	N/A

Network	
ANR	Yes, auto store video in SD card when NVR disconnected, and upload video to NVR when resumed connection
Protocols	TCP/IP, HTTP, FTP, DHCP, DNS, DDNS, MULTICAST, IPV4, NTP, UDP, Telnet
System Compatibility	ONVIF (PROFILE S/T/G), SDK, CGI (IE), P2P
Remote Connection	7
Client	Neius Control
Web Version	Web5
Interface	
Communication Interface	1 RJ45 10M/ 100M self adaptive Ethernet port
Audio	Mic in
Alarm	N/A
Reset Button	Yes
On-board storage	Built-in Micro SD card slot, up to 512 GB
General	
Firmware Version	-
Web Client Language	15 languages English, Russian, Spanish, Korean, Italian, Turkish, Simple Chinese, Traditional Chinese, Thai, French, Polish, Dutch, Hebraism, Arabic, Vietnamese
Operating Conditions	-35°C ~ 65°C, 0 ~ 95% RH
Power Supply	DC12V±25%/PoE
Power Consumption	MAX: 9W (12V) MAX: 10W (PoE)
Protection	IP67, Lightning protection, surge protection and voltage transient protection meets EN 55035:2017
Heater	N/A
Dimensions	239x90x90mm
Weight	0.93Kg

1099/521 IP 5M, Motorized starlight IR bullet camera

DIMENSIONS (mm)



ACCESSORIES



3000/141
Junction box



3000/147
Pole adapter

Technical specifications are subject to changes without notice.

Urmet S.p.A. | Via Bologna, 188/C | 10154 TORINO (ITALY)

T +39 011.24.00.000

info@urmet.com | urmet.com

CUSTOMER SERVICE +39 011.23.39.810