

Benennung/Description

Mehrtons sirene 32 Töne
Multi-t. sounder 32 tne

Artikel-Nummer
Material number

141 #00 XX

Ausdruck ist nur zur Information und wird bei Änderung nicht berücksichtigt. / This printed copy is for information only and is subject to alteration.

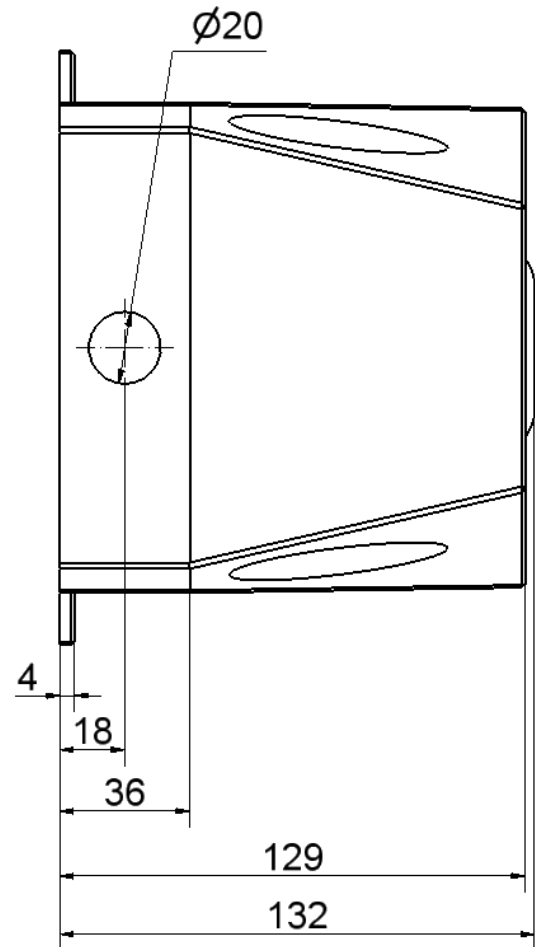
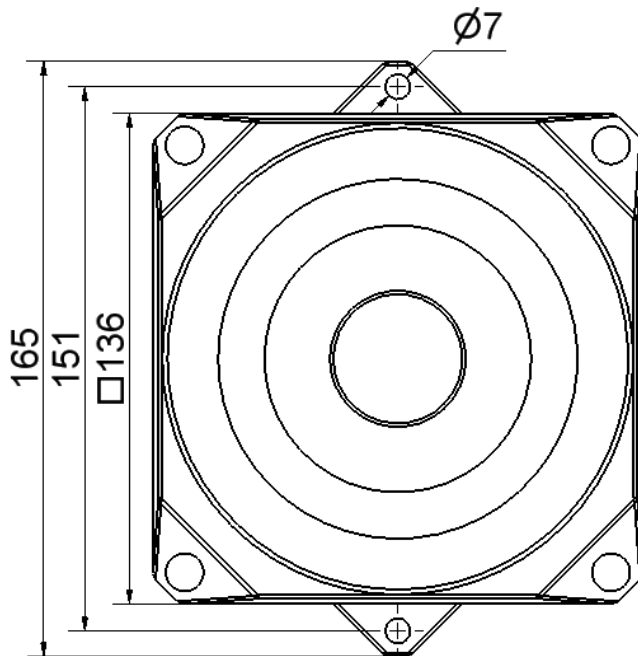
Bestell-Nr. / order no.

141 #00 55	9 - 60V DC	120 mA	485-500 g
141 #00 68	115 - 230V AC	22 mA	540-575 g



0 = RD 1 = GY

Andere Spannungen auf Anfrage / other voltages available on request





Asserta Midi Sounder Tones Table

Stage 1 & 2

Primary Tone	Secondary Tone	CODE	TONE				Operating Current			SPL 24Vdc See Notes dB(A)@1m	EN54-3 60Vdc See Notes dB(A)@1m	
			Description	Frequencies	Pattern	Use	12Vdc I (mA)	24Vdc I (mA)	48Vdc I (mA)			
1	14	12345	Alternating	800 & 970	2Hz (250ms-250ms)	BS5839 Part 1 1988		15	32	35	108	-
2	14	11110	Sweep	800 & 970	7Hz (7/s)	Fast Sweep (LF) BS5839 Part 1 1988		11	24	26	107	-
3	14	11101	Sweep	800 & 970	1Hz (1/s)	Medium Sweep (LF) BS5839 Part 1 1988		11	23	27	108	104
4	14	11100	Continuous	2850	Steady			19	40	44	107	-
5	4	11011	Sweep	2400 to 2850	7Hz	Fast Sweep		15	31	35	107	-
6	4	11010	Sweep	2400 to 2850	1Hz			15	31	35	109	-
7	14	11001	Slow Whoop	300 to 1200	3s sweep, 0.5s silence, then repeat (rep)	Slow Whoop		17	38	42	111	108
8	14	11000	Sweep	1200 to 500	1Hz	Din Tone		14	31	35	109	107
9	4	10111	Alternating	2400 & 2850	2Hz (250ms-250ms)			16	35	38	108	-
10	14	10110	Intermittent	970	0.5Hz (1s On/1s Off)	Back-up Alarm (LF) BS5839 Part 1 1988		13	30	33	108	-
11	14	10101	Alternating	800 & 970	1Hz (500ms-500ms)	BS5839 Part 1 1988		15	33	37	108	-
12	4	10100	Intermittent	2850	0.5Hz (1s On/1s Off)	Back-up Alarm (HF)		13	29	32	107	-
13	14	10011	Intermittent	970	0.8Hz (250ms On/1s Off)	BS5839 Part 1 1988		6	14	16	108	-
14	14	10010	Continuous	970	Steady	BS5839 Part 1 1988		18	41	45	108	107
15	14	10001	Alternating	554 & 440	100ms-400ms	French Fire Sound		13	32	36	108	-
16	16	10000	Intermittent	660	3.3Hz (150ms On/150ms Off)	Swedish Alarm Tone		8	17	21	106	-
17	17	01111	Intermittent	660	0.28Hz (1.8s On/1.8s Off)	Swedish Alarm Tone		11	26	29	106	-
18	18	01110	Intermittent	660	0.05Hz (6.5s On/13s Off)	Swedish Alarm Tone		13	30	32	107	-
19	19	01101	Continuous	660	Steady	Swedish Alarm Tone		13	30	33	107	-
20	20	01100	Alternating	554 & 440	0.5Hz (1s On/1s Off)	Swedish Alarm Tone		13	32	35	107	-
21	21	01011	Intermittent	660	1Hz (500ms-500ms)	Swedish Alarm Tone		9	20	23	106	-
22	14	01010	Intermittent	2850	4Hz (150ms On/100ms Off)	Pelican Crossing		12	25	28	106	-
23	14	01001	Sweep	800 to 970	50Hz	Low Frequency Buzz BS5839 Part 1 1988		11	24	26	107	-
24	4	01000	Sweep	2400 to 2850	50Hz	High Frequency Buzz		15	31	34	107	-
25	25	00111	Intermittent	970	500ms On/500ms Off	ISO 8201 Low Frequency		11	25	29	108	-
26	26	00110	Intermittent	2850	500ms On/500ms Off	ISO 8201 High Frequency		12	25	28	107	-
27	27	00101	Continuous	4000	Steady			16	32	39	105	-
28	10	00100	Alternating	800 & 970	2Hz (250ms-250ms)	FP1063.1-Telecom		14	32	36	108	-
29	988Hz	00011	Alternating	990 & 650	2Hz (250ms-250ms)(Symphoni tones)	Symphoni Tones		11	23	26	106	105
30	510Hz	00010	Alternating	510 & 610	2Hz (250ms-250ms)(Squashni Micro tones)	Squashni Micro		14	34	37	108	105
31	31	00001	Sweep	300 to 1200	1Hz			16	41	44	109	-
32	27	00000	Alternating	510 & 610	1Hz (500ms-500ms)			14	34	38	108	-

Note (a): Tones approved under the Construction Products Directive for Fire Alarm Applications, are shown in the column marked EN54-3.
 Note (b): EN54-3 measurements shown reflect minimum expected SPL readings at Maximum Volume at the Loudest Point around the EN54-3 defined sounder axis.
 Note (c): All other tone measurements reflect manufacturers data based on 'on axis' measurements, and not verified by a Notified body.
 Note (d): Detailed EN54-3 polar SPL measurements are available in the Product Manual M04-005.
 Note (e): All measurements taken at 20°C operating temperature.
 Note (f): For measurements at 12V, subtract 6dB off figure at 24V
 Note (g): For measurements at 48V, add 1dB onto figure at 24V

Elektrische Daten		Electrical specifications	
Einschaltdauer	100 % ED	Duty cycle	100
Lautstärke	110 dB	Volume	110 dB
Tonart	32 Töne	Tone type	32 tones
Tonfrequenz	ca. 300-4000 Hz	Tone frequency	ca. 300-4000 Hz
Mechanische Daten		Mechanical specifications	
Anschluss	Schraubklemme max. 2,5 mm ²	Connection	Screwable connection max. 2,5mm ²
Befestigung	Winkelmontage	Fixing	Bracket mounting
Einbaulage	Schallaustritt nicht nach oben	Installation position	Acoustic outlet not upwards
Kabeleinführung	Kabelverschraubung M20x1,5, Kabeldurchmesser 8-12 mm	Cable entry	Cable gland M20x1,5, cable diameter 8-12 mm
Schutzart	IP66 in montiertem Zustand	Protection rating	IP66 when mounted
Temperatur	-25° ... +70 °C	Temperature	-25° ... +70 °C
Umgebungsbedingungen	Verschmutzungsgrad 3, U _i = 250V; U _{imp} = 2.500V	Environmental conditions	Pollution degree 2 or 3, U _i = 250V, U _{imp} = 2.500V
Werkstoff Gehäuse	PC/ABS-blend	Material housing	PC/ABS-blend
Sonstige Daten		Other specifications	
Hinweis	Alle Angaben beziehen sich auf U _{nenn} und Raumtemperatur. Die Hinweise der Montageanleitung sind zu beachten.	Note	All specifications refer to U _{nom} and room temperature. The advice contained in the installation instruction is to be observed.
Vorschriften	Die zutreffenden EU-Richtlinien werden erfüllt.	Regulations	Conforms to current EU Directives.
Zulassung		Approval	

