

Mini installation beacon / MC55

**MC55 RGY Cable 24VDC**



Part No.: 240.210.55



| MECHANICAL DATA             |                     |
|-----------------------------|---------------------|
| Height                      | 71 mm               |
| Diameter                    | 55 mm               |
| Materials                   | PC<br>PC/ABS        |
| Dome colour                 | Translucent         |
| Housing colour              | Black               |
| Protection category         | IP65                |
| Connection                  | Cable               |
| Cable length                | 1450 mm             |
| Tension relief              | Pull-out protection |
| Type of fixing              | Built-in mounting   |
| Working temperature minimum | -20°C               |
| Working temperature maximum | +50°C               |
| Weight with packaging       | 125 g               |
| Product weight              | 104 g               |

| ELECTRICAL DATA             |                                |
|-----------------------------|--------------------------------|
| Operating voltage           | 24V                            |
| Operating voltage type      | DC                             |
| Operating voltage tolerance | +/- 10%                        |
| Rated operational voltage   | 24 VDC                         |
| Rated operational current   | 45 mA                          |
| Rated inrush current        | <150mA                         |
| Protection class            | Protection class 2             |
| Pollution degree            | 3<br>In the connection area: 2 |

| OPTICAL DATA         |                  |
|----------------------|------------------|
| Light source         | LED              |
| Light colour         | MC 3 colours     |
| Optical signal image | Permanent        |
| Service life optical | 50,000 h maximum |

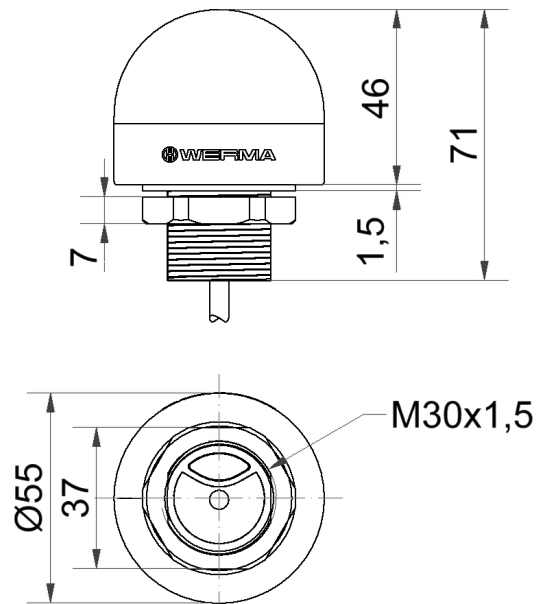
| APPROVAL DATA                |     |
|------------------------------|-----|
| Conforms with CE             | Yes |
| WEEE                         | Yes |
| Conforms with ATEX-directive | No  |
| Conforms with CCC            | No  |
| Conforms with UL             | No  |
| Conforms with FCC            | No  |

! For additional installation and mounting information, refer to the appropriate user guide at [www.werma.com](http://www.werma.com). This printed copy is for information only and is subject to alteration.

Mini installation beacon / MC55  
**MC55 RGY Cable 24VDC**

|                               |                       |
|-------------------------------|-----------------------|
| Conforms with IC              | No                    |
| EAC certificate available     | Yes                   |
| Conforms with UKCA (Importer) | Yes (WERMA (UK) Ltd.) |
| Conforms with AS-I            | No                    |
| ICAO Certification            | No                    |
| Conforms with DNV             | No                    |
| Conforms with RoHS CN         | 25 years              |
| Conforms with VdS             | No                    |
| MTTF-value [years]            | 207                   |

**DRAWING**



For additional installation and mounting information, refer to the appropriate user guide at [www.werma.com](http://www.werma.com). This printed copy is for information only and is subject to alteration.