

EvoSIGNAL / EvoSIGNAL Accessories

Mini Adapter BM GY



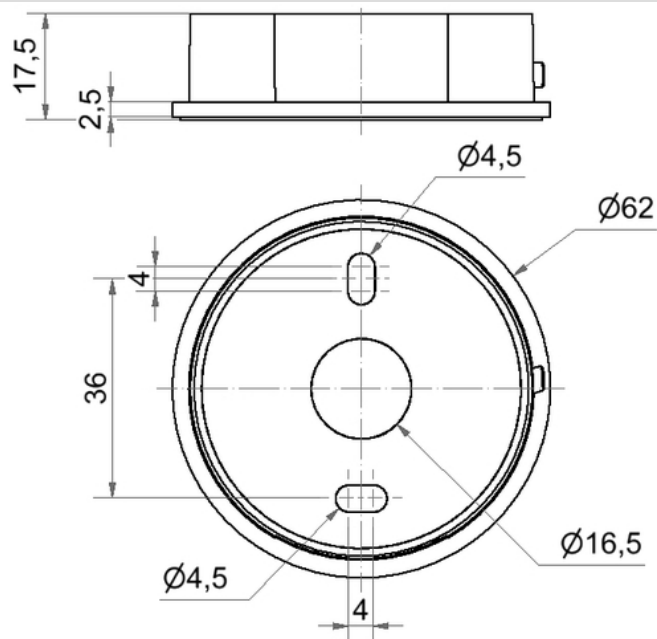
Part No.: 260.700.01

RoHS

MECHANICAL DATA	
Height	18 mm
Diameter	62 mm
Materials	PC/ABS
Housing colour	Gray
Protection category	IP66
Cable entry	Through hole
Cable entry maximum	d = 9 mm
Type of fixing	Base mounting
Working temperature minimum	-30°C
Working temperature maximum	+60°C
Weight with packaging	19 g
Product weight	13 g

ELECTRICAL DATA	
Pollution degree	3

DRAWING



! For additional installation and mounting information, refer to the appropriate user guide at www.werma.com. This printed copy is for information only and is subject to alteration.