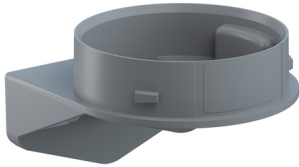


EvoSIGNAL / EvoSIGNAL Accessories

**Mini angle GY**



Part No.: 260.700.07



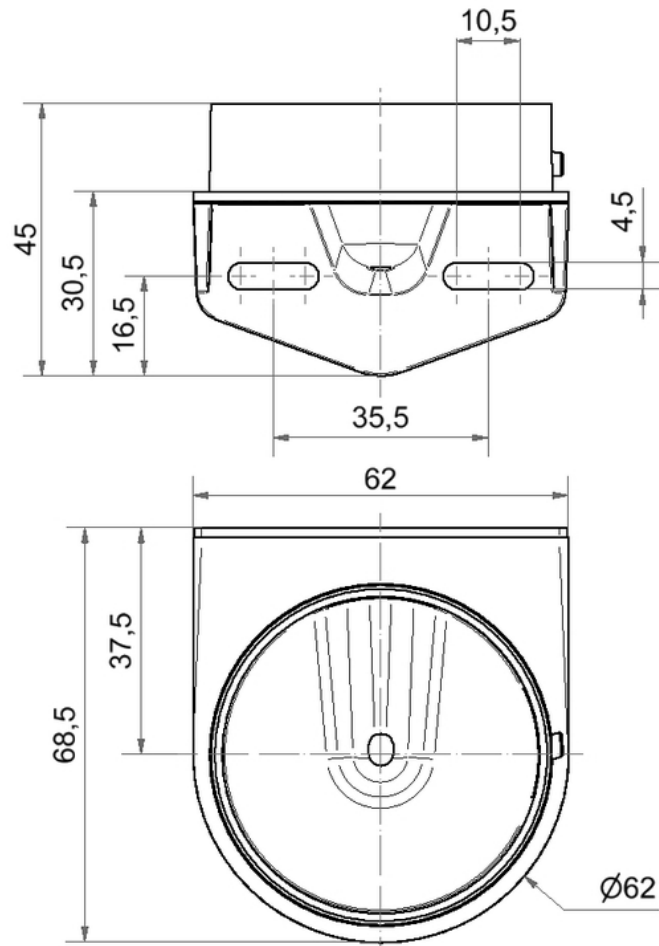
MECHANICAL DATA	
Length	69 mm
Width	62 mm
Height	45 mm
Diameter	62 mm
Materials	PC/ABS
Housing colour	Gray
Protection category	IP66
Cable entry	Through hole
Cable entry maximum	d = 9 mm
Type of fixing	Wall mounting
Working temperature minimum	-30°C
Working temperature maximum	+60°C
Weight with packaging	30 g
Product weight	26 g
ELECTRICAL DATA	
Pollution degree	3

**!** For additional installation and mounting information, refer to the appropriate user guide at [www.werma.com](http://www.werma.com). This printed copy is for information only and is subject to alteration.

EvoSIGNAL / EvoSIGNAL Accessories

**Mini angle GY**

**DRAWING**



**!** For additional installation and mounting information, refer to the appropriate user guide at [www.werma.com](http://www.werma.com). This printed copy is for information only and is subject to alteration.