

EvoSIGNAL / EvoSIGNAL Accessories

Maxi Adaptador Rosca de cable GY



Part No.: 262.700.02

RoHS

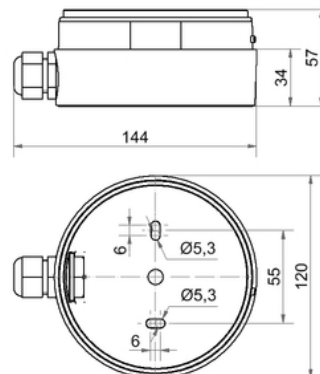
MECHANICAL DATA

Height	57 mm
Diameter	120 mm
Materials	PC/ABS
Housing colour	Gray
Protection category	IP66
Cable entry	Screwed cable gland
Cable entry minimum	d = 8 mm
Cable entry maximum	d = 12 mm
Tension relief	Present (conforms to VDI)
Type of fixing	Base mounting
Working temperature minimum	-30°C
Working temperature maximum	+60°C
Weight with packaging	187 g
Product weight	179 g

ELECTRICAL DATA

Pollution degree	3
------------------	---

DRAWING



For additional installation and mounting information, refer to the appropriate user guide at www.werma.com. This printed copy is for information only and is subject to alteration.