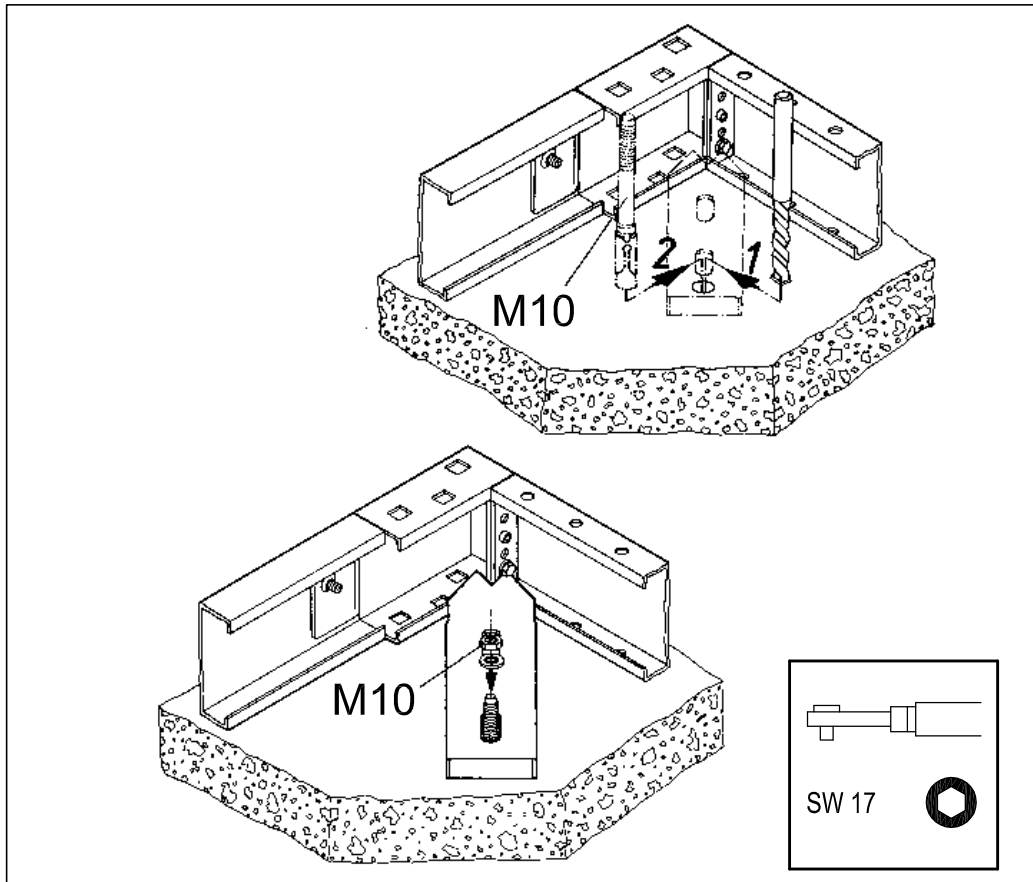




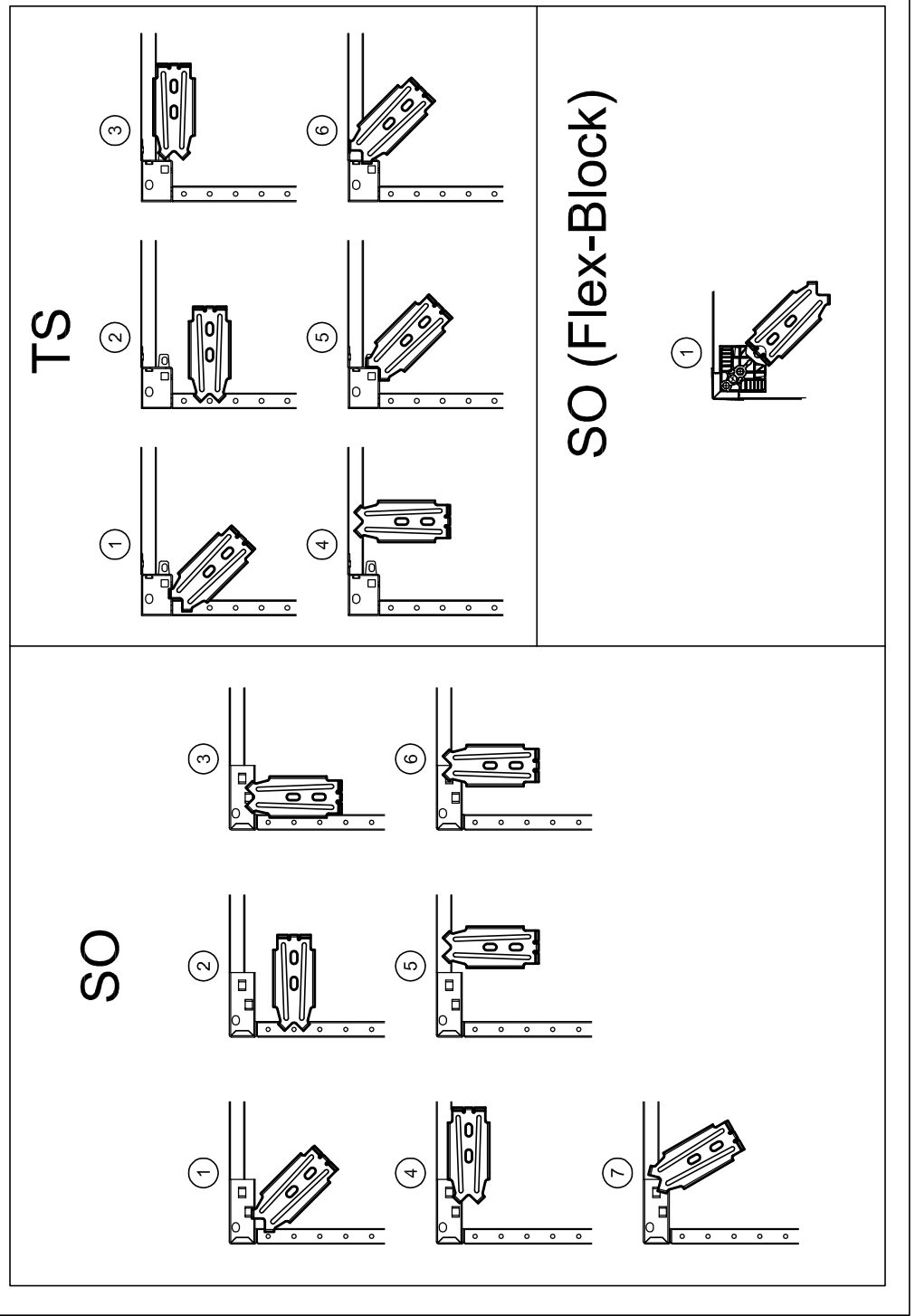
SO
2817.000

Raum für Verpackungsdatum
Area for date of packing
(MMJJTT / MMYDD)



Zchnng.-Nr. / No. of dwg. : A0393003SO
Versandbeutel-Nr. / No. of accessory bag : -

Lieferanten-Nr. / No. of supplier :



TS

SO (Flex-Block)

SO